

polkaudio®

the speaker specialists®

PA
D1000.1

MONOBLOCK
AMPLIFIER

OWNER'S
MANUAL

polkaudio®

the speaker specialists®

5601 Metro Drive
Baltimore, MD 21215
800-377-7655

www.polkaudio.com



HBP2477

MARINE
CERTIFIED

TABLE OF CONTENTS

INTRODUCTION	4
WHAT'S IN THE BOX	4
LISTEN CAREFULLY	4
TOOLS OF THE TRADE	5
END PANEL LAYOUTS	5 - 6
Line Level Inputs/Outputs/Controls	5
Power Inputs/Speaker Outputs	6
AMPLIFIER WIRING	6 - 7
Power Connections	6
Speaker Wiring Diagram	7
AMPLIFIER INSTALLATION	7
Mounting Locations	7
Passenger Compartment	7
Trunk Compartment	7
INSTALLATION GUIDELINES	8 - 9
SET UP AND TROUBLESHOOTING	9 - 11
Testing the System	9
Adjusting the Sound of the System	9 - 10
Troubleshooting Tips	10 - 11
SPECIFICATIONS	12
FRANÇAIS	13 - 22
ESPAÑOL	23 - 32
DEUTSCH	33 - 42
ITALIANO	43 - 52
PORTUGUÊS	53 - 62
WARRANTY	63

ENGLISH

INTRODUCTION

Thank you for your purchase of a Polk Audio PA D Series amplifier. Each PA D Series amplifier is designed to be the leader in its class offering the most power, advanced features, and extreme ease of use. In high-end sound systems or high SPL systems, PA D Series amplifiers will give you years of trouble-free performance.

- **PA D1000.1**—1200W x 1 RMS @ 1 Ohm; 800W x 1 RMS @ 2 Ohms; 500W x 1 RMS @ 4 Ohms.

Note: Improper installation will not only limit the performance of your Polk Audio PA D Series amplifier but also potentially compromise the reliability of this amplifier. To ensure proper sonic results and component reliability, please refer to your authorized dealer for installation assistance or advice. If you decide to perform the installation yourself, be sure to read the entire manual before beginning the installation (see Installation Guidelines on page 8).

RECORD THIS INFORMATION FOR YOUR RECORDS

Model: _____

Serial Number: _____

Date of Purchase: _____

WHAT'S IN THE BOX

- Polk Audio Amplifier
- Phillips Screws (8)
- Owner's Manual
- Online Registration Card
- Remote Level Control
- Remote Level Control Wire
- Terminal Block Adaptor

Important Note: If anything is missing or damaged, or if your Polk Audio amplifier fails to operate, notify your dealer immediately. We recommend keeping your original carton and packing materials in case you need to ship the unit in the future.

WARNING: LISTEN CAREFULLY

Polk Audio amplifiers, loudspeakers and subwoofers are capable of playing at extremely high volume levels, which could cause serious or permanent hearing damage. Polk Audio accepts no liability for hearing loss, bodily injury or property damage resulting from the misuse of its products. Keep these guidelines in mind and always use your own good judgment when controlling volume. For more about safe volume levels, go to: www.osha.gov/dts/osta/otm/noise/standards_more.html

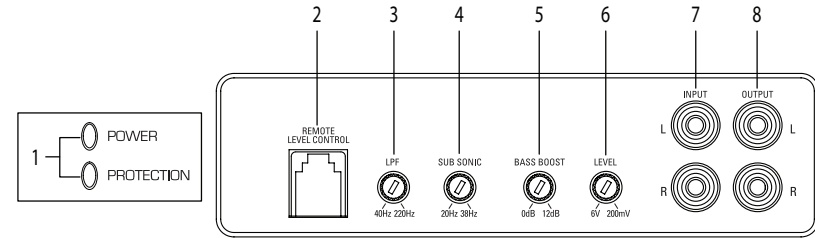
TOOLS OF THE TRADE

Listed next are the majority of the tools required to perform an installation. Having the proper tools will make the installation that much easier.

- Phillips head screwdriver
- Electric drill and 3/16" and 1/8" drill bits
- Permanent ink marker or pencil
- Safety glasses
- Wire strippers and cutters
- Electrical tape
- Amplifier Power Wire
- Solderless, crimp-on connectors and a crimping tool
- Safety glasses
- DMM or VOM
- Nylon tie straps
- Wire crimper
- Grommets for passing wires through metal car walls

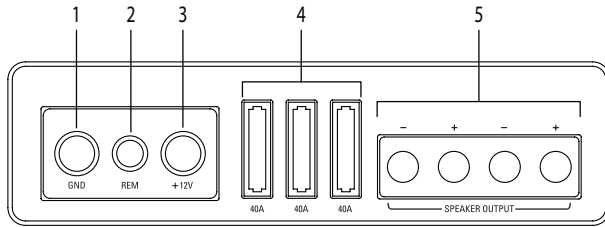
END PANEL LAYOUTS

PA D1000.1 Line Level Inputs/Outputs/Controls

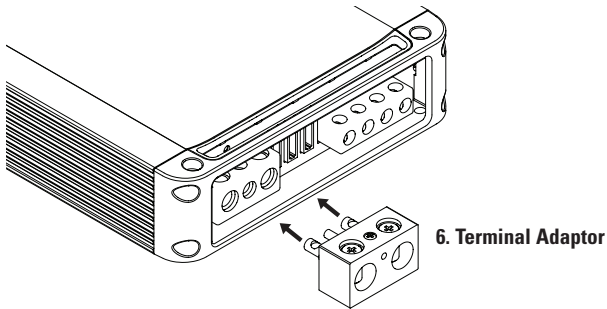


- 1. Status LEDs (on top of amplifier): Power and Protection**—Power will illuminate to indicate the amplifier is on and operating normally; protection will illuminate if the amplifier shuts down due to short circuit, DC offset, or overheating detected by onboard protection circuitry.
- 2. Remote Level Control**—Connects remote bass control module.
- 3. LPF Variable Control**—Adjusts the low pass filter frequency to attenuate frequencies above the setting on the control.
- 4. Sub Sonic Filter**—Variable from 20Hz - 38Hz.
- 5. Bass Boost Control**—Variable bass gain from 0dB - 12dB.
- 6. Level Control**—Adjusts the gain of the channel to match the output voltage from your head unit.
- 7. Line Level Inputs**—Accepts Line level input from a source unit, preamplifier, or equalizer.
- 8. Line Level Outputs**—Provides a full range signal for easy connection to additional amplifiers.

PA D1000.1 Power Inputs/Speaker Outputs



- 1. GND (Ground)**—Connect this terminal directly to the metal chassis of the vehicle, using the shortest wire necessary to make this connection. Always use wire of the same gauge or larger than the +12V power wire. The chassis connection point should be scraped free of paint and dirt. Use only quality crimped and/or soldered connectors at both ends of this wire. **DO NOT** connect this terminal directly to the vehicle battery ground terminal or any other factory ground points.
- 2. REM (Remote Turn On)**—This terminal turns on the amplifier when +12V is applied to it. Connect it to the remote turn on lead of the head unit.
- 3. +12V Power**—Connect this terminal through a **FUSE** or **CIRCUIT BREAKER** to the positive terminal of the vehicle battery or the positive terminal of an isolated audio system battery.
WARNING: Always protect this power wire by installing a fuse or circuit breaker of the appropriate size within 12" of the battery terminal connection.
- 4. Fuse**—These fuses (40A x 3) protect the amplifier against internal electrical damage and are meant to protect only the amplifier. All other power connections should be fused at the power source.
- 5. Speaker Output**—Connect your subwoofers here.
- 6. Terminal Adaptor**—The adaptor enables the use of cable up to 0000AWG for the ground and +12V connections (see illustration below).



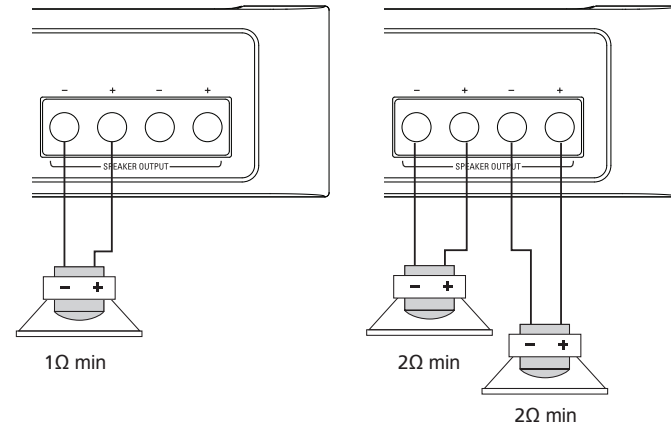
AMPLIFIER WIRING

Power Connections

- PA D1000.1 Fuse Size: 3 x 40 AMP ATC.
- Power connections accept up to 4 AWG wire.
- 4 AWG power and ground wire recommended for optimal performance.
- Connect +12V to the battery through fuse holder. This connection provides +12V main power to the amplifier.
- Power wire must be fused within 12" of the battery.
- Ground the amplifier using a good chassis ground as close as possible to the amplifier.
- Connect REM terminal to remote turn-on lead from the head unit. This connection provides +12V power to turn-on the amplifier.
- Add extra ground wire between the negative terminal of the battery and the chassis.

Speaker Wiring Diagram PA D1000.1

The Polk Audio PA D1000.1 amplifier offers two positive and two negative output terminals for ease of connecting the speakers to the amplifier. Since this is a mono amplifier, connections are wired in paralleled internally. The amplifier is stable to 1 Ohm.



AMPLIFIER INSTALLATION

Mounting Locations

The location of your amplifier will depend on several important issues. Due to the low profile and compact size of the Polk Audio PA D Series amplifier, there are many possible installation locations that will yield satisfactory amplifier performance. Always mount the amplifier in a place that protects the amplifier from the elements. In addition, mount the amplifier on a stable, flat surface.

NOTE: Mounting amplifiers upside down is not recommended and may cause premature thermal shutdown.

WARNING! **DO NOT MOUNT** any amplifier in the engine compartment. Amplifiers are not designed to endure the harsh environment of an engine compartment.

Passenger Compartment

If you are going to mount the amplifier in the passenger compartment, make sure you have adequate room for ventilation. When mounting your amplifier under a seat or similar area, keep a minimum of 1" of clearance around the amplifier for adequate cooling.

Trunk Compartment

Mounting your amplifier in the trunk provides excellent performance as long as you do not restrict the airflow around the heatsink of the amplifier. For optimal results, mount the amplifier with as much clearance as possible. This type of mounting will yield the best cooling due to the convection effect of the amplifier chassis.

INSTALLATION GUIDELINES

Power for systems with a single amplifier can be supplied by most automotive electrical systems. Systems with multiple amplifiers may require a higher capacity battery, alternator or the use of a storage capacitor. Polk Audio PA D Series amplifiers do generate a certain amount of heat as part of normal operation. Be sure the area around the amplifier is unobstructed to allow adequate air circulation. Remember, beach blankets, last week's laundry, school books and homework papers placed on top of the amplifier impede air flow and may cause damage.

1. Please read this owner's manual carefully before installing your amplifier.
2. Disconnect the battery ground terminal prior to making any electrical connections.
3. Check for any hazards or obstructions such as gas tanks, fuel or brake lines, and wiring harnesses before mounting the amplifier.
4. Pick a mounting location that will provide adequate access and ventilation and protect the amplifier from heat, moisture, and dirt.
5. Avoid sharp metal areas when routing cables to the amplifier, and run RCA cables away from the power cables and other potentially noisy car harnesses.
6. The amplifier should be grounded with a short, heavy gauge wire connected directly to the car at a bare metal surface, preferably scraped body metal. Do not use factory ground locations, seat bolts, or brackets that are spot welded.
7. Always fuse your power connection within 12 inches of the battery terminal. Use a fuse or circuit breaker rated slightly more than the on-board fuse(s) of the amplifier(s). The gauge of power wire used should take into account the total current draw of the system, and the length of wire used. IASCA and other auto sound competition organizations have charts available for this; you can also find a chart in the MECP study guide. Minimum wire gauge recommendations for the individual amplifiers are listed on the specification page. Always use the same gauge wire for the amplifier ground that you use for the power wire. Be sure to examine the battery ground cable of the vehicle, and if necessary, upgrade it by adding an additional ground wire that is the same gauge as the amplifier's power wire. Remember, the amplifier can only deliver its rated output when it is not current limited by the power and ground supply wires.
8. This amplifier is designed to drive a speaker load that measures from 1 to 8 Ohms. Keep in mind that heat is the long-term enemy of automotive electronics and the lower your speaker load, the more heat is generated. For low-impedance speaker applications or restricted ventilation installations, an external cooling fan may be advisable.
9. Battery and ground connections to the vehicle should be made with crimped ring terminals of the appropriate size (surface area is what counts;) soldering the terminals after crimping is also recommended.
10. Due to the high-frequency MOSFET switching power supply, filtering the power cable is not generally required (remember that the amp can't deliver full output if the power supply is restricted.) Proper grounding of the signal source is mandatory for the amplifier to reach its performance peak. If the RCA inputs are not grounded adequately via the signal source, electrical noise from the vehicle may be picked up in the system.

Step By Step Installation

1. Determine the location for the amplifier. Refer to the Mounting Locations section of this guide for detailed information.
2. Decide on the system configuration for your amplifier. For system suggestions, refer to the Speaker Wiring Diagrams section of this guide.
3. Run all the wires from the amplifier location to the speakers, source unit, and battery. Do not connect the battery at this time. Be sure to run Line levels and power and speaker wires away from factory electrical wires and system as they pose a great potential for induced system noise.
4. Pre-drill amplifier mounting holes. Be sure to "think before you drill." Gas tanks, fuel lines, and other obstructions have a nasty way of hiding themselves. For best results use a marking pen to mark the mounting holes and pre-drill these holes with a standard 1/8" drill bit.
5. Mount the amplifier. Make sure the amplifier is mounted on a flat surface. If this is not possible, do not over tighten the screws so that the chassis of the amplifier is twisted or bent.
6. Turn the vehicle's key switch to the off position.
7. Disconnect the vehicle's battery ground terminal.
8. Connect power wires to the amplifier (ground first, then +12V and REM).

9. Connect the line level and speaker wires to the amplifier. Check the quality of your speakers and signal connections. This will determine the ultimate performance of your Polk Audio PA D Series amplifier. Refer to the Line Level Inputs/Outputs/Controls and Speaker Wiring Diagrams sections of this guide for correct wiring instructions.
10. Reconnect the ground terminal to the battery after power, speaker, and line level connections are completed.
11. Set crossovers. Refer to the Line Level Inputs/Outputs/Controls section of this manual for detailed instructions.
12. Once satisfied that all connections and settings are correct, install the fuse located near the vehicle's battery and proceed to the Testing the System section of this manual.

WARNING! NEVER exceed the recommended fuse size of this amplifier. Failure to do so will result in the voiding of your warranty and possible damage to the amplifier.

SET UP AND TROUBLESHOOTING

Testing the System

After you have completed the installation, you need to test the system. This will help ensure years of trouble-free operation. Please refer to the listed steps below when testing the sound of your Polk Audio PA D Series amplifier.

1. Check all the wiring connections to be sure they are correct and secure.
2. Turn the signal source volume control all the way down. Set any tone controls to their flat or defeated positions. This includes the loudness control.
3. Turn the level controls of the amplifier to their minimum positions.
4. Turn the head unit on. Check to see if the power LED located on the connection side of the amplifier is on. If not, please refer to the Power Inputs/Speaker Outputs and the Troubleshooting Tips sections of this manual for instructions.
5. If using an aftermarket head unit, turn the level controls of the amplifier about one quarter of a turn counterclockwise. Slowly increase the volume level of the head unit so that you can hear the output of the system. If no sound is heard or if the output is distorted, turn the system off immediately. Refer to the Power Inputs/Speaker Outputs and the Troubleshooting Tips sections of this manual to solve your installation problems.
6. Check to make sure the output for each channel is correct. If the active crossovers are used, check to make sure that each output is correct from the amplifier. When using active crossovers on midrange and tweeters, do not use crossover frequencies lower than recommended. If the system is not configured properly, refer to the Line Level Inputs/Outputs/Controls section of this manual and take corrective action.
7. If the output is clear and undistorted, continue to the Adjusting the Sound of the System section of this manual.

Adjusting the Sound of the System

Once you have checked the system's operation, adjust the sound of the system. Adjusting the sound of the system is accomplished by setting the level controls and adjusting the internal crossovers (see Line Level Inputs/Outputs/Controls on page 5).

1. Turn the signal source volume control all the way down. Set any tone controls to their flat or defeated positions. This includes the loudness control.
2. Turn the level controls of the amplifier to their minimum positions.
3. Choose music with high dynamic content that you like, with which you are familiar, and will be used most often in the system.
4. Turn the head unit's volume control up to its highest undistorted output level. If you lack test equipment, this point occurs between 3/4 to full volume depending on the quality of your head unit. Listen for any audible distortion. If any distortion is audible, reduce the volume of the head unit until you have an undistorted output. Leave the volume control at this position during your system tuning.
5. While listening to your chosen dynamic music, turn up the level control corresponding to the midrange output until you hear slight distortion and turn the level control back slightly for an undistorted output. Depending on your system, the midrange and tweeter output may be on the same output channels.

6. Turn up the level control corresponding to the tweeter output until you hear slight distortion and turn back the level control slightly for an undistorted output. Depending on your system the midrange and tweeter output may be on the same output channels.
7. Fine-tune the output level between midrange and tweeters. Refer to the Line Level Inputs/Outputs/Controls section of this manual for detailed instructions.
8. Repeat Steps 5-7 for the rear speakers. If you do not have rear speakers continue to Step 10.
9. Set levels between the front and rear midrange and tweeters for optimum front/rear balance.
10. Turn up the level control corresponding to the woofer output until you hear slight distortion and turn back the level control slightly for an undistorted output.
11. Fine-tune the output level between satellite speakers and the woofers. Refer to the Line Level Inputs/Outputs/Controls section of this manual for controls. Adjust the level to the bass output of the woofer to match the sonic requirements of the system.
12. Enjoy your awesome Polk Audio PA D Series amplifier.

TROUBLESHOOTING TIPS

Symptom	Probable Cause	Action To Take
No output		
	Low or no remote turn-on.	Check remote turn-on at amplifier and repair as needed.
	Fuse blown.	Check power wire's integrity and check for speaker shorts. Fix as needed and replace fuse.
	Power wires not connected.	Check power wire and ground connections and repair or replace as needed.
	Audio input not connected.	Check line level connections and repair or replace as needed.
	Speaker wires not connected.	Check speaker wires and repair or replace as needed.
	Speakers are blown.	Check system with known working speaker and repair or replace speakers as needed.
Audio cycles on and off		
	Thermal protection engages when amplifier heat sink temperature exceeds 85° C (185° F).	Make sure there is proper ventilation for amplifier and improve ventilation as needed.
	Loose or poor audio input.	Check line level connections and repair or replace as needed.
	Loose power connections.	Check power wires and ground connections and repair or replace as needed.
Distorted output		
	Amplifier level sensitivity set too high exceeding maximum capability of amplifier.	Readjust gain. Refer to the Adjusting the Sound of the System section of this manual.
	Impedance load to amplifier too low.	Check speaker impedance load if below 1 Ohm, rewire speakers to achieve higher impedance.
	Shorted speaker wires.	Check speaker wires and repair or replace as needed.
	Speaker not connected to amplifier properly.	Check speaker wires and repair or replace as needed.

TROUBLESHOOTING TIPS

Symptom	Probable Cause	Action To Take
Distorted output		
	Internal crossover not set properly for speakers	Readjust crossovers. Refer to the Amplifier Settings section of this manual for detailed instructions.
	Speakers are blown	Check system with known working speakers and fix or replace as needed.
Poor bass response		
	Speakers wired with wrong polarity causing cancellation at low frequencies.	Check speaker polarity and fix as needed.
	Crossover set incorrectly.	Reset crossovers. Refer to the Line Level Input/Output/Control section of this manual.
	Impedance load at amplifier is too low.	Check speaker impedance load if below 1 Ohm, rewire speakers to achieve higher impedance.
Battery fuse blowing		
	Short in power wire or incorrect wiring.	Check power wires and ground connections and repair or replace as needed.
	Fuse used is smaller than recommended.	Replace with proper fuse size.
	Actual current exceeds fuse rating.	Check speaker impedance load if below 1 Ohm, rewire speakers to achieve higher impedance.
Amplifier fuse blowing		
	Fuse used is smaller than recommended.	Replace with proper fuse size.
	Impedance load at amplifier is too low.	Check speaker impedance load if below 1 Ohm, rewire speakers to achieve higher impedance.
	Speaker is blown with shorted outputs.	Check system with known working speakers and fix or replace as needed.
	Actual current exceeds fuse rating.	Check speaker impedance load if below 1 Ohm, rewire speakers to achieve higher impedance.

SPECIFICATIONS

Amplifier	PA D1000.1
Type	Class D MOSFET
Channels	monoblock
RMS Continuous Power @ 4 Ohms	500 W x 1
RMS Continuous Power @ 2 Ohms	800 W x 1
RMS Continuous Power @ 1 Ohm	1200 W
Distortion at Rated Power	<0.1%
Remote Gain Control Included	Yes
Minimum Impedance Not Bridged	1 Ohm
Signal-to-noise Ratio	105 dB
Frequency Response	20Hz - 200Hz
Damping Factor	>150
Crossover Filter Slope (dB/octave)	12dB/octave
Sub Sonic Filter Frequency Range	20Hz - 38Hz
Low Pass Filter Frequency Range	40Hz - 220Hz

Amplifier	PA D1000.1
Bass Boost Frequency	44Hz
Bass Boost (dB)	Variable (0 dB - 12 dB)
Line Level Inputs (y/n)	Yes
Line Level Outputs (y/n)	Yes
LED Power Indicator	Yes
LED Protection Indicator	Yes
Input Sensitivity	200mV - 6V
Supply Voltage	10V - 16V
Fusing & Power/Type	(3) 40 Amp ATC
Power Connections	4 AWG
Ground Connections	4 AWG
Speaker Connections	12 AWG
Height	1 13/16" (46 mm)
Depth	6 3/4" (171.5 mm)
Width	12 15/16" (328.6 mm)
Width w/ Terminal Adaptor	13 11/16" (347.7 mm)
Weight	6.5 lbs (2.95 kg)

TABLE DES MATIÈRES

INTRODUCTION	14
CONTENU DE LA BOÎTE	14
ÉCOUTEZ BIEN	14
OUTILS REQUIS	14
CONFIGURATION DES PANNEAUX	15 – 16
Entrées niveau de ligne/sorties/contrôles	15
Entrées de puissance/sorties haut-parleur	15-16
CÂBLAGE DE L'AMPLIFICATEUR	16
Connexion de l'alimentation	16
Diagramme du câblage des haut-parleurs	16
INSTALLATION DE L'AMPLIFICATEUR	17
Emplacement	17
Habitacle	17
Coffre	17
CONSEILS POUR L'INSTALLATION	17 – 18
RÉGLAGE ET GUIDE DE DÉPANNAGE	18 – 21
Vérification du système	18-19
Réglage du son du système	19
Conseils de dépannage	20 – 21
SPÉCIFICATIONS	22
GARANTIE	63

FRANÇAIS

Merci d'avoir acheté un amplificateur Polk Audio PA D Series. Chaque amplificateur PA D Series a été conçu pour dominer sa catégorie. Il vous offre une puissance maximale, des caractéristiques de pointe et une utilisation des plus faciles. Au cœur d'une chaîne audio haut de gamme ou à niveaux sonores élevés, un amplificateur PA D Series vous assurera des années de haute performance ultra fiable.

- **PA D1000.1**—1200W x 1 RMS @ 1 Ohm; 800W x 1 RMS @ 2 Ohms; 500W x 1 RMS @ 4 Ohms.

Note: Une installation fautive limitera non seulement la performance de votre amplificateur Polk Audio PA D Series mais pourrait également compromettre sa fiabilité. Pour assurer une performance sonore optimale et la fiabilité des composants, consultez votre revendeur Polk Audio agréé pour de l'assistance ou des conseils. Si vous décidez de faire l'installation vous-même, assurez-vous de bien lire ce manuel en entier avant de procéder à l'installation. (Voir le «Guide d'installation» à la page 17.)

CONSERVEZ CETTE INFORMATION DANS VOS DOSSIERS

Modèle: _____

No de série: _____

Date de l'achat: _____

CONTENU DE LA BOÎTE

- Amplificateur Polk Audio
- Vis Phillips (8)
- Manuel d'utilisation
- Adaptateur de bornier
- Contrôle de niveau à distance
- Câble pour le contrôle de niveau à distance
- Carte d'enregistrement en ligne

Note importante: S'il manque des pièces, si vous découvrez des avaries ou si votre amplificateur Polk Audio PA D Series ne fonctionne pas, contactez immédiatement votre revendeur. Conservez la boîte et l'emballage—they assureront la protection du produit en cas de transit éventuel.

AVERTISSEMENT: ÉCOUTEZ BIEN!

Les amplificateurs, haut-parleurs et subwoofers Polk Audio sont capables de générer des niveaux de pression sonore extrêmement élevés pouvant causer des dommages auditifs graves ou permanents. Polk Audio Inc. ne peut être tenue responsable de perte d'ouïe, de blessure corporelle ou de dommages matériels résultant de l'usage abusif de ses produits. Tenez compte de cet avertissement et faites preuve de discernement lorsque vous contrôlez le volume.

Pour plus d'information sur les niveaux sécuritaires de pression sonore visitez:

www.osha.gov/dts/osta/otm/noise/standards_more.html

OUTILS REQUIS

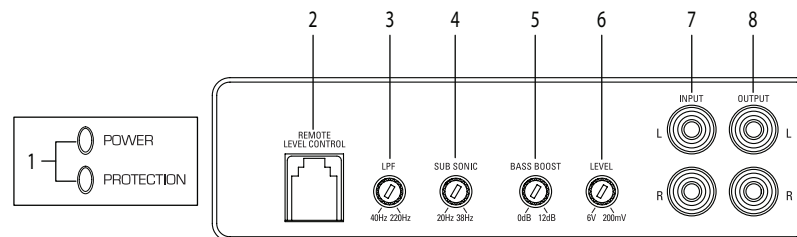
Voici une liste de la plupart des outils requis pour faire l'installation.

L'utilisation d'outils appropriés rendra l'installation beaucoup plus facile.

- Tournevis Phillips
- Fiches à sertir sans soudure et outil sertisseur
- Perceuse électrique et forets 3/16" et 1/8"
- Lunettes de sécurité
- Crayon feutre ou crayon à mine
- Multimètre DVOM ou VOM
- Attaches en nylon
- Câble d'alimentation pour l'amplificateur
- Coupe-fil / dénudeur
- Outil sertisseur
- Ruban isolant
- Passe-fils pour traverser les cloisons métalliques du véhicule

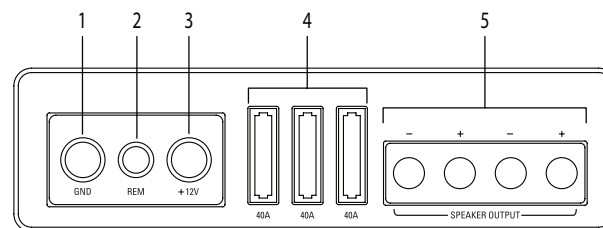
CONFIGURATION DES PANNEAUX

PA D1000.1 Entrées/Sorties Niveau De Ligne/Contrôles



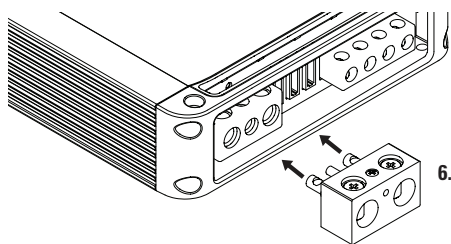
1. **DEL POWER et PROTECTION (sur le dessus de l'ampli)**—La DEL POWER luit lorsque l'amplificateur est sous tension et fonctionne normalement. La DEL PROTECTION luit lorsque l'ampli s'éteint suite à la détection d'un court circuit, d'un décalage de courant continu ou de surchauffe par le circuit de protection interne.
2. **REMOTE LEVEL CONTROL**—Prise pour le contrôle de niveau à distance.
3. **LPF Variable Control**—Adjusts the low pass filter frequency to attenuate frequencies above the setting on the control.
4. **SUB SONIC**—Filtre subsonique variable de 20Hz - 38Hz.
5. **BASS BOOST**—Augmente le gain des graves de 0dB à 12dB.
6. **LEVEL**—Règle le gain du canal pour l'apparier au voltage de sortie du composant de source.
7. **INPUTS**—Entrées niveau de ligne d'un composant de source, préamplificateur ou correcteur
8. **OUTPUTS**—Sorties de ligne du signal pleine gamme pour connexion à des amplificateurs additionnels

PA D1000.1 Alimentation/Sorties Haut-Parleur



1. **GND (Masse)**—Connectez cette borne au châssis métallique du véhicule en utilisant un câble le plus court possible et de même calibre (ou plus gros) que le câble d'alimentation +12V. La zone de contact avec le châssis du véhicule doit être poncée et nettoyée pour retirer toute peinture ou saleté. N'utilisez que des connecteurs à sertir ou à souder de première qualité aux deux extrémités du câble. **NE RACCORDEZ PAS** cette borne directement à la borne de masse de la batterie ou à tout autre point de masse original du véhicule.
2. **REM**—Cette prise permet d'allumer l'amplificateur à distance lorsqu'elle capte du courant +12 V. Branchez-y le câble de mise sous tension à distance +12V du composant de source.
3. **+12V**—Raccordez cette prise via un FUSIBLE ou un DISJONCTEUR à la borne positive de la batterie du véhicule ou à la borne positive d'une batterie dédiée à la chaîne audio du véhicule.
AVERTISSEMENT: Protégez toujours ce câble d'alimentation en installant un fusible ou un disjoncteur de valeur appropriée à moins de 30 cm de la connexion à la borne de la batterie.
4. **Fuse**—Ces fusibles (40A x 3) protègent l'amplificateur—et uniquement l'amplificateur—contre les dom mages électriques internes. Tout autre composant électrique doit avoir son propre fusible de protection à sa source d'alimentation.
5. **Sorties haut-parleur** — Connectez les haut-parleurs ici.

6. Adaptateur de bornier—Cet adaptateur permet d'utiliser des câbles de calibre jusqu'à 0000AWG pour les connexions +12V et la masse. (Voir l'illustration ci-dessous.)



6. Adaptateur de bornier

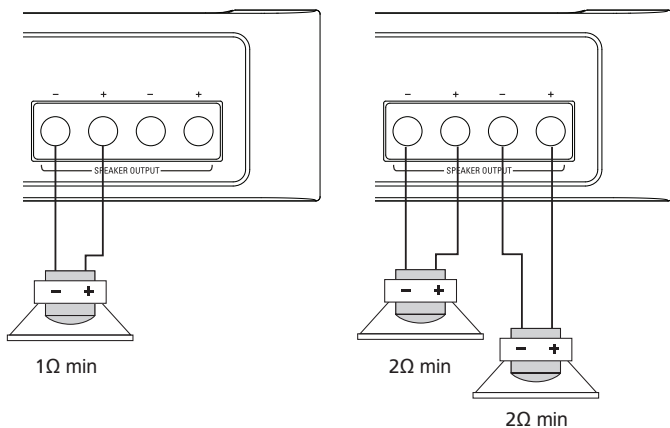
CÂBLAGE DE L'AMPLIFICATEUR

Alimentation

- PA D1000.1 type de fusibles: 3 x 40 AMP ATC.
- Connexion de l'alimentation—câble de calibre jusqu'à 4 AWG.
- Pour une performance maximale, utilisez du câble de calibre 4 AWG pour l'alimentation et la masse.
- Connectez le câble d'alimentation +12 V à la batterie via un fusible.
- Le fusible du câble d'alimentation doit être à moins de 30 cm de la batterie .
- Faites une mise à la masse de l'amplificateur au châssis le plus près possible de l'amplificateur.
- Branchez le câble de mise sous tension à distance du composant de source (+12 V) dans la prise REM. Cette fonction permet d'allumer l'amplificateur à distance.
- Ajoutez un câble de masse additionnel entre la borne négative de la batterie et le châssis.

Diagramme Du Câblage Des Haut-Parleurs – PA D1000.1

L'amplificateur Polk Audio PA D1000.1 offre deux jeux de bornes de sorties (positives et négatives) pour faciliter la connexion des haut-parleurs. Puisque l'amplificateur est monophonique, les bornes sont reliées en parallèle à l'usine. L'amplificateur est stable jusqu'à 1 Ohm.



INSTALLATION DE L'AMPLIFICATEUR

Emplacement

L'emplacement de votre amplificateur dépend de plusieurs facteurs importants. L'amplificateur Polk Audio PA D Series est mince et compact et peut donc être installé convenablement à plusieurs endroits. N'installez l'amplificateur que dans un lieu protégé des éléments et sur une surface plate et stable.

NOTE: Il est déconseillé d'installer l'amplificateur à l'envers. Ceci pourrait causer un arrêt thermique prématuré.

AVERTISSEMENT! N'INSTALLEZ JAMAIS un amplificateur dans le compartiment-moteur. Les amplificateurs ne sont pas conçus pour supporter l'environnement périlleux d'un compartiment-moteur.

Habitacle

Si vous comptez installer l'amplificateur dans l'habitacle, allouez un espace de dégagement suffisant pour assurer une ventilation adéquate. Si vous installez l'amplificateur sous un siège ou un autre endroit restreint, allouez au moins 2,5 cm de dégagement autour de l'amplificateur.

Coffre

Le coffre est un endroit idéal pour installer l'amplificateur à condition d'allouer un espace de dégagement suffisant pour assurer la ventilation de son dissipateur thermique. Pour une performance optimale, allouez un dégagement maximal car l'effet de convection du châssis de l'amplificateur favorisera son refroidissement.

CONSEILS POUR L'INSTALLATION

Le système électrique de la plupart des véhicules peut fournir l'électricité requise par les chaînes audio utilisant un seul amplificateur. Les chaînes utilisant plusieurs amplificateurs pourraient nécessiter une batterie de plus haute capacité, un alternateur ou un condensateur. Les amplificateurs Polk Audio PA D Series génèrent de la chaleur. Allouez un dégagement suffisant autour de l'amplificateur pour assurer une ventilation adéquate. Soyez conscient qu'une couverture, un sac de linge, des vêtements, etc., peuvent entraver la circulation d'air et occasionner la surchauffe de l'amplificateur.

1. Lisez ce manuel attentivement avant de procéder à l'installation de l'amplificateur.
2. Déconnectez la borne de mise à la masse de la batterie avant de faire toute connexion électrique.
3. Identifiez les obstacles et dangers potentiels—comme le réservoir à essence, les conduits d'essence et de liquide de freins et les faisceaux électriques—avant d'installer l'amplificateur.
4. Choisissez un lieu d'installation accessible qui assurera la protection de l'amplificateur contre les éléments, la chaleur, l'humidité et la poussière tout en lui assurant une ventilation adéquate.
5. Ne passez pas de câbles à proximité de rebords métalliques tranchants. Passez les câbles RCA loin des câbles d'alimentation et des faisceaux de fils qui pourraient causer de l'interférence électromagnétique.
6. L'amplificateur doit être mis à la masse à l'aide d'un câble de gros calibre le plus court possible connecté directement au métal dénudé de la voiture, préférablement au métal poncé du châssis. N'utilisez pas les points de masse d'origine, les boulons des sièges ou les supports soudés par points.
7. Installez toujours le fusible du câble d'alimentation à moins de 30 cm des bornes de la batterie. Utilisez un fusible ou un disjoncteur de valeur nominale légèrement plus élevée que celle du (des) fusible(s) de bord de (des) l'amplificateur(s). Le calibre du câble d'alimentation doit être proportionnel à l'appel de courant total du système et à la longueur du câble. Vous pouvez vous procurer des tableaux de référence à ce sujet à la IASCA, la MECF et autres associations de compétition. La fiche technique de ce manuel offre des recommandations pour le calibre minimum de câble à utiliser avec les amplificateurs spécifiques. Utilisez toujours le même calibre de câble pour la masse et l'alimentation de l'amplificateur. Examinez bien le câble de mise à la masse de la batterie du véhicule; si son cali bre n'est pas assez gros, ajoutez un câble de mise à la masse de même calibre que celui du câble d'alimentation de l'amplificateur. N'oubliez pas qu'un amplificateur ne peut pas livrer sa pleine puissance nominale si le courant est restreint par des câbles de mise à la masse et d'alimentation de calibre insuffisant.
8. Cet amplificateur est conçu pour alimenter des haut-parleurs avec une charge d'impédance de 1 à 8 Ohms pour les canaux pleine gamme et d'un minimum de 1 Ohm pour le canal subwoofer. N'oubliez jamais que la chaleur est l'ennemi à long terme de l'électronique automobile et que plus la charge d'impédance est basse, plus de chaleur est générée. Pour des applications à très basse impédance ou des installations où la ventilation est restreinte, un ventilateur externe est recommandé.

9. Les connexions aux bornes de la batterie et à la masse doivent être faites à l'aide de cosses à sertir circulaires de format approprié (la surface de contact est primordiale). Il est également recommandé de souder les câbles après les avoir sertis.
10. Grâce au bloc d'alimentation à commutation hautes fréquences MOSFET, le câble d'alimentation ne requiert généralement pas de filtre (n'oubliez pas que l'amplificateur ne peut pas fournir sa pleine puissance si son alimentation est restreinte). Cependant une mise à la masse adéquate du composant de source est indispensable à la performance optimale de l'amplificateur. Si les entrées RCA ne sont pas adéquatement mises à la masse par le câble du composant de source, de l'interférence électromagnétique pourrait dégrader la performance de la chaîne.

Installation Etape Par Etape

1. Déterminez l'emplacement de l'ampli. Référez-vous à la section «Emplacement» de ce manuel.
2. Déterminez la configuration du système pour votre ampli. Pour des suggestions, référez-vous à la section «Diagramme du câblage des haut-parleurs» de ce manuel.
3. Tirez tous les câbles partant de l'amplificateur jusqu'aux haut-parleurs, au composant de source et à la batterie. Ne connectez pas la batterie à ce moment-ci. Assurez-vous de tirer tous les câbles de niveau de ligne, d'alimentation et des haut-parleurs loin des fils électriques originaux du véhicule car ces derniers pourraient causer de l'interférence électromagnétique.
4. Pré-percez les trous pour l'installation de l'ampli mais «pensez avant de percer.» Notez bien la position du réservoir et des conduits d'essence. Pour de meilleurs résultats, marquez les endroits à percer avec un crayon-feutre et pré-percez les trous avec un foret de 1/8".
5. Installez l'amplificateur. Assurez-vous de l'installer sur une surface plate. Si ce n'est pas possible, ne serrez pas trop les vis pour éviter de plier ou de tordre le châssis de l'amplificateur.
6. Mettez la clé du véhicule à la position «off».
7. Déconnectez la borne de masse de la batterie du véhicule.
8. Connectez les câbles d'alimentation à l'amplificateur (masse d'abord, puis +12V et REM).
9. Connectez les câbles de niveau de ligne et des haut-parleurs à l'amplificateur. Vérifiez l'intégrité de toutes les connexions car la performance ultime de votre amplificateur Polk Audio PA D Series en dépend. Référez-vous aux sections «Entrées niveau de ligne/sorties/contrôles» et «Diagramme du câblage des haut-parleurs» de ce manuel pour des instructions détaillées.
10. Reconnectez la borne de masse de la batterie après avoir vérifié toutes les connexions d'alimentation, de niveau de ligne et de haut-parleurs.
11. Réglez les séparateurs. Référez-vous à la section «Entrées niveau de ligne/sorties/contrôles» de ce manuel pour des instructions détaillées.
12. Après avoir vérifié toutes les connexions et tous les réglages, installez le fusible situé près de la batterie du véhicule et passez à la section «Vérification du système» de ce manuel.

AVERTISSEMENT! N'utilisez JAMAIS de fusible excédant la valeur recommandée pour cet amplificateur. Vous pourriez endommager l'amplificateur et la garantie serait automatiquement annulée.

RÉGLAGE ET DÉPANNAGE

Vérification Du Système

Après avoir terminé l'installation, vous devrez vérifier le système. Ceci vous assurera des années d'opération fiable. Référez-vous aux étapes énumérées ci-dessous pour vérifier le son de votre amplificateur Polk Audio PA D Series.

1. Vérifiez l'intégrité de toutes les connexions.
2. Baissez le volume du composant de source au minimum. Réglez les contrôles de tonalité (incluant «loudness») à la position "0," «Off» ou «defeat.»
3. Baissez les contrôles de volume de l'amplificateur au minimum.
4. Allumez le composant de source. Assurez-vous que la DEL POWER située sur le dessus de l'amplificateur est allumée. Si elle ne l'est pas, consultez les sections «Alimentation/Sorties haut-parleur» et «Conseils de dépannage» de ce manuel.

5. Si vous utilisez un composant de source de marque indépendante, réduisez les contrôles de gain de l'amplificateur d'environ un quart de tour. Montez lentement le volume du composant de source pour entendre le signal de ce composant. S'il n'y a pas de son ou si le son est distordu, éteignez le système immédiatement. Consultez les sections «Alimentation/Sorties haut-parleur» et «Conseils de dépannage.»
6. Assurez-vous que la sortie de chaque canal est correcte. Si vous utilisez des séparateurs actifs, assurez-vous que chaque sortie de l'amplificateur est correcte. Lorsque vous utilisez des séparateurs actifs pour les haut-parleurs de médiums et les tweeters, n'utilisez pas de fréquences plus basses que celles qui sont recommandées. Si le système n'est pas configuré correctement, consultez la section «Entrées niveau de ligne/sorties/contrôles.»
7. Si la sortie est claire et sans distorsion, procédez à la section «Réglage du son du système» de ce manuel.

Réglage Du Son Du Système

Après avoir vérifié l'opération électronique du système, réglez le son en réglant les contrôles de niveau et les contrôles des séparateurs internes (voir «Entrées niveau de ligne/sorties/contrôles» à la page 15).

1. Baissez le volume du composant de source au minimum. Réglez les contrôles de tonalité (incluant «loudness») à la position "0," «Off» ou «defeat.»
2. Baissez les contrôles de volume de l'amplificateur au minimum.
3. Faites jouer un style de musique dynamique que vous ferez souvent jouer sur cette chaîne.
4. Montez le volume du composant de source jusqu'à ce que vous entendiez de la distorsion. Si vous n'utilisez pas d'appareil de contrôle, ce niveau devrait se situer entre 75% et 100% du volume (selon la qualité de votre composant de source). Écoutez bien. Si vous entendez de la distorsion, réduisez le volume de votre composant de source jusqu'à ce qu'elle disparaisse. Laissez le contrôle de volume à cette position durant le réglage du système.
5. Tout en écoutant la musique, montez le contrôle de niveau de la sortie des médiums jusqu'à ce que vous entendiez de la distorsion puis baissez le niveau jusqu'à ce que la distorsion disparaisse. Selon votre système, les sorties des médiums et des aigus pourraient provenir des mêmes canaux.
6. Montez le contrôle de niveau de la sortie des aigus jusqu'à ce que vous entendiez de la distorsion puis baissez le niveau jusqu'à ce qu'elle disparaisse. Selon votre système, les sorties des médiums et des aigus pourraient provenir des mêmes canaux.
7. Réglez précisément les niveaux de sortie des médiums et des aigus. Consultez la section «Entrées niveau de ligne/sorties/contrôles» de ce manuel pour des instructions détaillées.
8. Répétez les étapes 5 à 7 pour les haut-parleurs arrière. Si vous n'avez pas de haut-parleurs arrière, passez à l'étape 10.
9. Réglez l'équilibre des niveaux des médiums et des aigus avant et arrière selon vos préférences.
10. Montez le contrôle de niveau de sortie du woofer jusqu'à ce que vous entendiez de la distorsion puis baissez le niveau jusqu'à ce qu'elle disparaisse.
11. Réglez l'équilibre des niveaux de sortie des satellites et des woofers selon vos préférences. Consultez la section «Entrées niveau de ligne/sorties/contrôles» de ce manuel pour des instructions détaillées. Réglez le niveau de sortie du subwoofer selon vos préférences.
12. Appréciez maintenant le son magistral de votre amplificateur Polk Audio PA D Series.

CONSEILS DE DÉPANNAGE

Symptôme	Cause probable	Solution
Pas De Sortie		
Absence de contrôle à distance ou signal faible.		Vérifiez le contrôle à distance de l'ampli et réparez au besoin.
Fusible sauté.		Vérifiez l'intégrité du câble d'alimentation et assurez-vous qu'il n'y a pas de court-circuit. Réparez au besoin ou remplacez le fusible.
Câbles d'alimentation mal connectés.		Vérifiez les câbles d'alimentation et de masse. Réparez ou remplacez au besoin.
Entrées audio mal connectées.		Vérifiez les connexions niveau de ligne. Réparez ou remplacez au besoin.
Entrées audio mal connectées.		Vérifiez les câbles. Réparez ou remplacez au besoin.
Haut-parleurs défectueux.		Vérifiez le système avec des h.-p. en bon état. Réparez ou remplacez les h.-p. au besoin.
Audio Intermittente		
Protection thermique activée lorsque la température du dissipateur de l'ampli. excède 85° C (185° F).		Assurez-vous que l'ampli est adéquatement ventilé. Améliorez la ventilation au besoin.
Entrée audio défectueuse.		Vérifiez les connexions niveau de ligne. Réparez ou remplacez au besoin.
Connexions d'alimentation défectueuses.		Vérifiez les connexions de l'alimentation et de la masse. Réparez ou remplacez au besoin.
Sortie Distordionnée		
Niveau de sensibilité de l'ampli réglée trop haut et excédant la capacité maximale de l'amplificateur.		Réglez à nouveau le niveau de gain. Consultez la section «Réglage du son du système» de ce manuel.
Charge d'impédance trop basse pour l'amplificateur.		Vérifiez la charge d'impédance de l'amplificateur— si elle est trop basse (sous 1 Ohm) reconfigurez les haut-parleurs pour hausser l'impédance.
Haut-parleurs court-circuités.		Vérifiez les câbles et réparez au besoin.
Haut-parleurs mal connectés à l'amplificateur.		Vérifiez les câbles et réparez au besoin.
Sortie Distordionnée		
Séparateur interne mal réglé pour les haut-parleurs.		Réglez à nouveau les séparateurs. Consultez la section «Entrées niveau de ligne/Contrôles» de ce manuel.
Haut-parleurs défectueux.		Vérifiez le système avec des h.-p. en bon état. Réparez ou remplacez les h.-p. au besoin.

CONSEILS DE DÉPANNAGE

Symptôme	Cause probable	Solution
Graves Insuffisants		
	Câbles des h.-p. connectés hors-phase causant une annulation des basses fréquences.	Vérifiez la polarité et corriger au besoin.
	Séparateurs mal réglés.	Réinitialisez les séparateurs. Consultez la section «Entrées niveau de ligne/Contrôles» de ce manuel.
	Charge d'impédance trop basse pour l'amplificateur.	Vérifiez la charge d'impédance de l'amplificateur— si elle est trop basse (sous 1 Ohm) reconfigurez les haut-parleurs pour hausser l'impédance.
Le fusible de la batterie saute		
	Court-circuit du câble d'alimentation ou mauvaises connexions.	Vérifiez les câbles d'alimentation et de masse. Réparez ou remplacez au besoin.
	Valeur du fusible inférieure à la valeur recommandée.	Remplacez par un fusible de valeur appropriée.
	Le courant excède la valeur du fusible.	Vérifiez la charge d'impédance de l'amplificateur— si elle est trop basse (sous 1 Ohm) reconfigurez les haut-parleurs pour hausser l'impédance.
Le fusible de l'amplificateur saute		
	Valeur du fusible inférieure à la valeur recommandée.	Remplacez par un fusible de valeur appropriée.
	Charge d'impédance trop basse pour l'amplificateur.	Vérifiez la charge d'impédance de l'amplificateur— si elle est trop basse (sous 1 Ohm) reconfigurez les haut-parleurs pour hausser l'impédance.
	Haut-parleur sauté avec sorties court-circuitées.	Vérifiez le système avec des h.-p. en bon état. Réparez ou remplacez les h.-p. au besoin.
	Le courant excède la valeur du fusible.	Vérifiez la charge d'impédance de l'amplificateur— si elle est trop basse (sous 1 Ohm) reconfigurez les haut-parleurs pour hausser l'impédance.

SPÉCIFICATIONS

Amplificateur	PA D1000.1
Type	Class D MOSFET
Canaux	Monophonique
Puissance RMS continue @ 4 Ohms	500 W x 1
Puissance RMS continue @ 2 Ohms	800 W x 1
Puissance RMS continue @ 1 Ohm	1200 W
Distorsion à puissance nom.	<0.1%
Contrôle de gain à distance inclus	Oui
Impédance minimum non pontée	1 Ohm
Rapport signal/bruit	105 dB
Réponse en fréquences	20Hz - 200Hz
Facteur d'amortissement	>150
Pente du filtre séparateur (dB/octave)	12dB/octave
Filtre subsonique—gamme de fréquences	20Hz - 38Hz
Filtre passe-bas Gamme de fréquences	40Hz - 220Hz

Amplificateur	PA D1000.1
Fréquence Bass Boost	44Hz
Bass Boost (dB)	Variable (0 dB – 12 dB)
Entrées niveau de ligne (o/n)	Oui
Sorties niveau de ligne (o/n)	Oui
Voyant DEL Power	Oui
Voyant DEL Protection	Oui
Sensibilité d'entrée	200mV - 6V
Voltage d'alimentation	10V - 16V
Fusible-alimentation/Type	(3) 40 Amp ATC
Connexions d'alimentation	4 AWG
Connexions de masse	4 AWG
Connexions haut-parleurs	12 AWG
Hauteur	1 13/16" (46 mm)
Profondeur	6 3/4" (171,5 mm)
Largeur	12 15/16" (328,6 mm)
Largeur avec adaptateur de bornier	13 11/16" (347,7 mm)
Poids	6,5 lb (2,95 kg)

ÍNDICE

INTRODUCCIÓN	24
LO QUE HAY EN LA CAJA	24
ADVERTENCIA: ESCUCHE CUIDADOSAMENTE	24
HERRAMIENTAS DEL OFICIO	24
DISPOSICIONES DEL PANEL DE EXTREMO	25 - 26
Controles, salidas y entradas de nivel de línea del PA D1000.1	25
Entradas de alimentación y salidas de altavoz del amplificador PA D1000.1	25 - 26
CABLEADO DEL AMPLIFICADOR	26
Entradas de alimentación	26
Diagrama de cableado de altavoces	26
INSTALACIÓN DEL AMPLIFICADOR	27
Ubicaciones de montaje	27
Compartimiento de pasajeros	27
Maletero	27
NORMAS DE INSTALACIÓN	27 - 28
CONFIGURACIÓN Y DETECCIÓN Y REPARACIÓN DE AVERÍAS	29 - 31
Prueba del sistema	29
Ajuste de sonido del sistema	29
Sugerencias de detección y reparación de averías	30 - 31
ESPECIFICACIONES	32

INTRODUCCIÓN

Gracias por la compra de este amplificador de la serie PA D de Polk Audio. Cada amplificador PA D de Polk Audio ha sido diseñado para ser líder en su clase ofreciendo máxima potencia, características avanzadas y una extrema facilidad de uso. En sistemas de sonido de gran sofisticación o sistemas de alto Nivel de Presión de Sonido (Sound Pressure Level, SPL), los amplificadores de la serie PA D de Polk Audio le darán muchos años de rendimiento sin problemas.

- **PA D1000.1**—1200 W x 1 RMS a 1 Ω; 800 W x 1 RMS a 2 Ω; 500 W x 1 RMS a 4 Ω.

Nota: La instalación incorrecta no sólo limita el rendimiento del amplificador de la serie PA D de Polk Audio, sino que también puede afectar su fiabilidad. Para obtener resultados sónicos apropiados y fiabilidad de componentes, consulte al distribuidor autorizado a fin de que lo asista o le dé consejos de instalación. Si decide hacer la instalación usted mismo, lea todo el manual antes de comenzarla. (Vea la sección Normas de instalación en la página 27).

ANOTE ESTA INFORMACIÓN EN SUS ARCHIVOS

Modelo: _____

Número de serie: _____

Fecha de compra: _____

LO QUE HAY EN LA CAJA

- Amplificador de Polk Audio
- Tornillos Phillips (8)
- Manual del propietario
- Tarjeta de registro en línea
- Control remoto de nivel
- Cable de control remoto de nivel
- Adaptador de bloque de terminales

Nota importante: Si algo falta o se ha dañado, o si el amplificador de la serie PA D de Polk Audio no funciona, avísele inmediatamente a su distribuidor. Recomendamos que conserve la caja de cartón y los materiales de empaquetado por si alguna vez necesita enviar la unidad.

ADVERTENCIA: ESCUCHE CUIDADOSAMENTE

Los amplificadores, altavoces y subwoofers de Polk Audio son capaces de reproducir sonido a volúmenes extremadamente altos, lo cual puede causar daño grave o permanente al oído. Polk Audio, Inc. no acepta ninguna responsabilidad por pérdida del oído, lesiones corporales o daños a la propiedad producidos por el uso inadecuado de sus productos. Tenga en mente estas directrices y ponga siempre en práctica su sentido común al controlar el volumen. Para obtener más información sobre niveles seguros de volumen, vaya a http://www.osha.gov/dts/osta/otm/noise/standards_more.html

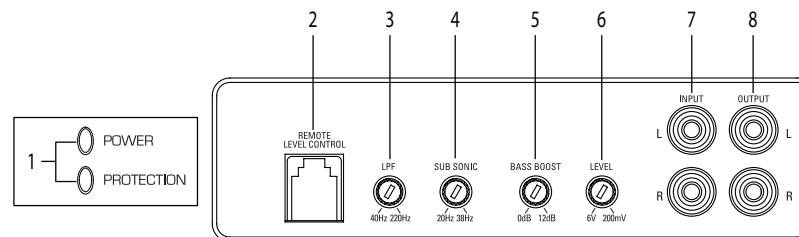
HERRAMIENTAS DEL OFICIO

A continuación se presenta una lista de la mayoría de las herramientas necesarias para hacer la instalación. Tener las herramientas adecuadas facilita la instalación.

- Destornillador Phillips
- Taladro eléctrico y brocas de 3/16 plg. y 1/8 plg.
- Marcador de tinta permanente o lápiz
- Amarrias de nylon
- Engarzadora de cable
- Cable de alimentación del amplificador
- Conectores de engarce sin soldadura y herramienta engarzadora
- Gafas de seguridad
- DMM o VOM
- Pelacables y cortacables
- Cinta aislante eléctrica
- Arandelas de goma para pasar cables a través de las paredes de metal del automóvil

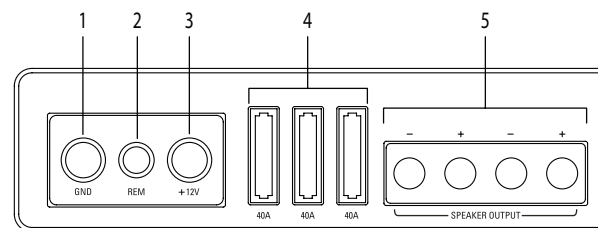
DISPOSICIONES DEL PANEL DE EXTREMO

Controles, salidas y entradas de nivel de línea del PA D1000.1



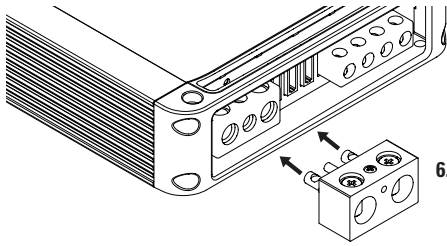
- 1. Indicadores LED de estado de alimentación y protección (ubicados en la parte de arriba del amplificador)**—El indicador LED de alimentación se mantiene iluminado cuando el amplificador está encendido y funcionando normalmente; el indicador LED de protección se ilumina si el amplificador se apaga a causa de un cortocircuito o una compensación de CC o si el circuito de protección de a bordo detecta un recalentamiento.
- 2. Control remoto de nivel**—Conecta el control remoto de nivel de bajos.
- 3. Control variable LPF**—Ajusta la frecuencia del Filtro de Pasabajas (Low Pass Filter, LPF) para atenuar las frecuencias superiores a la frecuencia máxima establecida con este control.
- 4. Filtro subsónico**—Variable de 20 Hz a 38 Hz.
- 5. Control de refuerzo de bajos**—Amplificación variable de bajos de 0 dB a 12 dB.
- 6. Control de nivel**—Ajusta la amplificación del canal de subwoofer para que corresponda a la salida de voltaje de la unidad fuente.
- 7. Entradas de nivel de línea**—Aceptan señales de nivel de línea de una unidad fuente, preamplificador o ecualizador.
- 8. Salidas de nivel de línea**—Producen señales de rango completo para facilitar la conexión con otros amplificadores.

Entradas de alimentación y salidas de altavoz del amplificador PA D1000.1



- 1. Conexión a tierra (GND)**—Conecte esta terminal directamente al chasis de metal del vehículo con el cable más corto posible necesario para hacer esta conexión. Utilice siempre cable de calibre igual o mayor que el del cable de alimentación de 12 V (+). Es necesario raspar el punto de conexión a tierra del chasis para quitarle la pintura y la suciedad. Utilice solamente conectores soldados y/o conectores engarzados de calidad en ambos extremos de este cable. **NO CONECTE** esta terminal directamente a la terminal de conexión a tierra de la batería del vehículo ni a ningún otro punto de conexión a tierra de fábrica.
- 2. Encendido a distancia (REM)**—Esta terminal enciende el amplificador cuando se le aplican 12 V (+). Conéctela al conductor de encendido a distancia de la unidad fuente.
- 3. Alimentación de 12 V (+)**—Conecte esta terminal a través de un FUSIBLE o un INTERRUPTOR AUTOMÁTICO a la terminal positiva de la batería del vehículo o a la terminal positiva de una batería de sistema de sonido aislada. **ADVERTENCIA:** Proteja siempre este cable de alimentación instalándole un fusible o un interruptor automático del valor nominal apropiado a menos de 12 plg. de la terminal de la batería.

4. **Fusibles**—Estos fusibles (40 A x 3) protegen el amplificador contra el daño eléctrico interno y está previsto que protejan sólo el amplificador. A todas las otras entradas de alimentación y salidas de altavoces se les debe poner un fusible en la fuente de alimentación.
5. **Salida de altavoz**—Conecte los altavoces aquí.
6. **Adaptador de terminal**—El adaptador permite usar cable de hasta calibre 0000AWG en la conexión a tierra y en las conexiones de 12 V (+) (vea la ilustración que se presenta a continuación).



6. Adaptador de terminal

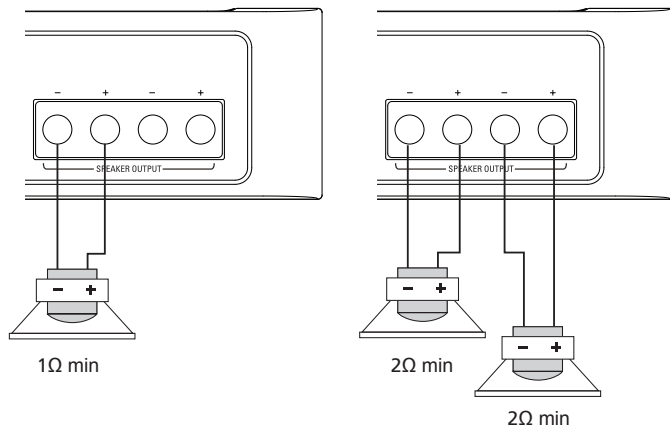
CABLEADO DEL AMPLIFICADOR

Entradas de alimentación y salidas de altavoces

- Fusibles del PA D1000.1: 3 x 40 A, tipo ATC.
- Las entradas de alimentación y salidas de altavoces aceptan cable de hasta calibre 4 AWG.
- Se recomienda cable de conexión a tierra y cable de alimentación de calibre 4 AWG para obtener un rendimiento óptimo.
- Conecte la terminal 12 V (+) a la batería a través del portafusibles. Esta conexión le da 12 V (+) de alimentación principal al amplificador.
- El cable de alimentación debe tener un fusible a no más de 12 plg. de la terminal de la batería.
- Conecte a tierra el amplificador en un buen punto de conexión a tierra del chasis lo más cerca posible del amplificador.
- Conecte la terminal REM al conductor de encendido a distancia de la unidad fuente. Esta conexión da 12 V (+) de alimentación para encender el amplificador.
- Agregue cable de conexión a tierra entre la terminal negativa de la batería y el chasis.

Diagrama de cableado de altavoces del PA D1000.1

El amplificador PA D2000.1 de Polk Audio tiene dos terminales positivas y dos terminales negativas para facilitar la conexión de altavoces al amplificador. Como este es un amplificador monofónico, las conexiones están cableadas en paralelo internamente. El amplificador es estable hasta 1 Ω .



INSTALACIÓN DEL AMPLIFICADOR

Ubicaciones de montaje

La ubicación de su amplificador depende de varios factores importantes. Debido al pequeño tamaño y bajo perfil de los amplificadores de la serie PA D de Polk Audio, hay muchas ubicaciones de montaje que producen un rendimiento satisfactorio. Monte siempre el amplificador en un lugar protegido contra los elementos. Además, móntelo en una superficie plana y estable.

NOTA: Se recomienda no montar los amplificadores invertidos, pues esto puede causar un apagado térmico prematuro.

ADVERTENCIA! NO MONTE el amplificador en el compartimiento del motor. Los amplificadores no han sido diseñados para soportar el riguroso ambiente del compartimiento del motor.

Compartimiento de pasajeros

Si va a montar el amplificador en el compartimiento de pasajeros, deje suficiente espacio para la ventilación. Cuando monte el amplificador debajo del asiento, o en un lugar similar, deje un mínimo de 1 plg. de separación alrededor de todo el amplificador para que tenga un enfriamiento adecuado.

Maletero

Montar el amplificador en el maletero da un excelente rendimiento, con tal de que no se restrinja el flujo de aire alrededor del disipador térmico del amplificador. Para obtener resultados óptimos, monte el amplificador con la mayor cantidad de espacio posible a su alrededor. Este tipo de montaje produce el mejor enfriamiento debido al efecto de convección del chasis del amplificador.

NORMAS DE INSTALACIÓN

La mayoría de los sistemas eléctricos automotrices pueden suministrar la alimentación necesaria a los sistemas que tienen un solo amplificador. Es posible que los sistemas que tienen varios amplificadores necesiten una batería o un alternador de mayor capacidad o un condensador de almacenamiento. Los amplificadores de la serie PA D de Polk Audio generan normalmente una cierta cantidad de calor al funcionar. El área alrededor del amplificador no debe estar obstruida, para permitir una circulación de aire adecuada. Recuerde que las mantas de playa, la ropa para lavar de la semana pasada, los libros escolares y los papeles de las tareas escolares colocados encima del amplificador reducen el flujo de aire y pueden dañarlo.

1. Lea este manual cuidadosamente antes de instalar este amplificador.
2. Desconecte la terminal de tierra de la batería antes de hacer conexiones eléctricas.
3. Vea si hay peligros u obstrucciones tales como tanques de gasolina, líneas de freno o combustible y arneses de cables antes de montar el amplificador.
4. Escoja una ubicación de montaje con acceso y ventilación adecuados que proteja al amplificador contra el calor, la humedad y la suciedad.
5. Evite los bordes de metal afilados cuando encamine los cables hasta el amplificador, y encamine los cables de nivel de línea lejos de los cables de alimentación y otros arneses de cables de automóvil que podrían inducir ruido.
6. El amplificador debe estar conectado a tierra con un cable corto de alto calibre conectado directamente a una superficie de metal limpia sin recubrimiento de ninguna clase, preferiblemente metal de carrocería raspado. No lo conecte a los puntos de conexión a tierra de fábrica, los pernos de los asientos o los soportes soldados por puntos.
7. Instale siempre el fusible de la conexión de alimentación a una distancia de 12 pulgadas de la terminal de la batería. Instale un fusible o un interruptor automático con un valor nominal ligeramente superior al de los fusibles de a bordo del amplificador. Para el calibre del cable de alimentación, tome en cuenta la corriente total del sistema y la longitud del cable. La Asociación Internacional de Desafíos de Sonido Automovilístico (International Auto Sound Challenge Association, IASCA) y otras organizaciones de competencias de sonido de automóvil tienen tablas para esto; usted también puede encontrar una tabla en la guía de estudio de los Profesionales Certificados en Electrónica Móvil (Mobile Electronics Certified Professionals, MECP). Las recomendaciones de calibres mínimos

de cable para amplificadores individuales aparecen en la página de especificaciones. Utilice siempre cable del mismo calibre en la conexión a tierra y en la alimentación del amplificador. Examine el cable de conexión a tierra de la batería del vehículo y, si es necesario, mejórelo agregándole un cable de conexión a tierra del mismo calibre que el del cable de alimentación del amplificador. Recuerde que el amplificador puede producir su salida nominal sólo si no hay limitaciones de corriente causadas por los cables de alimentación y de conexión a tierra.

- Este altavoz ha sido diseñado para funcionar con una carga de altavoces de 1 a 8 Ω . Tenga en mente que el calor es el enemigo a largo plazo de los componentes electrónicos de automóviles. Mientras más baja sea la carga de altavoz, más calor se genera. Para aplicaciones de altavoces de baja impedancia o instalaciones con poca ventilación, puede ser recomendable instalar un ventilador externo.
- Las conexiones a tierra y a la batería del vehículo deben hacerse con terminales de anillo engarzado del tamaño apropiado (lo que cuenta es el área de las superficies). También se recomienda soldar las terminales después de engarzarlas.
- Debido a la fuente de suministro conmutable MOSFET de alta frecuencia, generalmente no es necesario ponerle filtro al cable de alimentación (recuerde que el amplificador no puede producir la salida total si se restringe la fuente de alimentación). La conexión a tierra apropiada de la fuente de señal es indispensable para que el amplificador alcance su máximo de rendimiento. Si las entradas de nivel de línea no tienen una conexión a tierra adecuada a través de la fuente de señal, el ruido eléctrico del vehículo puede pasar al sistema.

Instalación paso a paso

- Determine la ubicación del amplificador. Consulte la sección Ubicaciones de montaje de esta guía para ver información detallada.
- Decida qué configuración de sistema va a tener su amplificador. Para ver sugerencias de sistema, consulte la sección Diagrama de cableado de altavoces de esta guía.
- Encamine todos los cables desde la ubicación del amplificador hasta los altavoces, la unidad fuente y la batería. No conecte la batería en este momento. Como presentan un gran potencial de ruido inducido, los cables de altavoz, alimentación y nivel de línea deben pasar lo más lejos posible de sistemas y cables eléctricos de fábrica.
- Haga los agujeros de montaje para el amplificador. Piense antes de taladrar. Los tanques de gasolina, las líneas de combustible y otras obstrucciones tienen la mala costumbre de esconderse. Para obtener los mejores resultados, marque la posición de los agujeros de montaje con un marcador y haga estos agujeros con una broca perforadora estándar de 1/8 de pulgada.
- Monte el amplificador. El amplificador debe ir montado en una superficie plana. Si esto no es posible, no apriete en exceso los tornillos para que el chasis del amplificador no se tuerza o se doble.
- Pase la llave de encendido del vehículo a la posición de apagado.
- Desconecte la terminal de conexión a tierra de la batería del vehículo.
- Conecte los cables de alimentación al amplificador (primero la terminal a tierra, luego la de 12 V (+) y finalmente la del control remoto, REM).
- Conecte los cables de altavoz y los cables de nivel de línea al amplificador. Verifique la calidad de las conexiones de señal y de altavoz. Esto determina en última instancia el rendimiento del amplificador de la serie PA D de Polk Audio. Consulte las secciones Controles, salidas y entradas de nivel de línea y Diagrama de cableado de altavoces de esta guía para ver las instrucciones de cableado correctas.
- Vuelva a conectar la terminal de conexión a tierra de la batería después de hacer las conexiones de nivel de línea, de altavoz y de alimentación.
- Fije los crossovers. Consulte la sección Controles, salidas y entradas de nivel de línea de este manual para ver instrucciones detalladas.
- Una vez que esté satisfecho de que todas las conexiones y configuraciones sean correctas, instale el fusible cerca de la batería del vehículo y proceda a la sección Prueba del sistema de este manual.

¡ADVERTENCIA! NO exceda nunca el valor nominal del fusible recomendado para este amplificador. Hacerlo dará como resultado anulación de la garantía y posible daño al amplificador.

CONFIGURACIÓN Y DETECCIÓN Y REPARACIÓN DE AVERÍAS

Prueba del sistema

Después de terminar la instalación, es necesario poner a prueba el sistema. Esto contribuirá a garantizar años de funcionamiento sin problemas. Consulte las instrucciones que aparecen a continuación cuando ponga a prueba el sonido de su amplificador de la serie PA D de Polk Audio.

- Revise todas las conexiones de cableado para asegurarse de que sean correctas y estén firmes.
- Baje el control de volumen de la fuente de señal hasta el mínimo. Fije los controles de tono, incluso el de sonoridad, en sus posiciones de anulación.
- Gire los controles de nivel del amplificador hasta sus posiciones de mínimo.
- Encienda la unidad fuente. Vea si el indicador LED de alimentación, ubicado en la parte de arriba del amplificador, está encendido. Si no lo está, consulte las secciones Entradas de alimentación y salidas de altavoces y Sugerencias de detección y reparación de averías de este manual para ver las instrucciones.
- Si está utilizando una unidad fuente de posventa, gire los controles de nivel del amplificador aproximadamente un cuarto de vuelta a partir de la posición de mínimo. Aumente lentamente el nivel de volumen de la unidad fuente escuchando la salida del sistema. Si no oye ningún sonido, o si la salida está distorsionada, apague el sistema inmediatamente. Consulte las secciones Entradas de alimentación y salidas de altavoces y Sugerencias de detección y reparación de averías de este manual para resolver los problemas de instalación.
- Asegúrese de que la salida de cada canal sea correcta. Si configura los crossovers activos, revíselos para asegurarse de que cada salida del amplificador sea correcta. Cuando configure los crossovers activos en altavoces de rango de frecuencias medias y tweeters, no fije frecuencias de crossover menores que las recomendadas. Si el sistema no está configurado correctamente, consulte la sección Controles, salidas y entradas de nivel de línea de este manual para tomar medidas correctivas.
- Si la salida es clara y sin distorsión, continúe con la sección Ajuste de sonido del sistema.

Ajuste de sonido del sistema

Una vez que haya verificado el funcionamiento del sistema, ajústelo el sonido. Esto se logra fijando los controles de nivel y ajustando los crossovers internos. (Vea la sección Controles, salidas y entradas de nivel de línea, en la página 25).

- Gire el control de volumen de la fuente de señal hasta el mínimo. Fije los controles de tono, incluso el de sonoridad, en sus posiciones de anulación.
- Gire los controles de nivel del amplificador hasta sus posiciones de mínimo.
- Escoja música con alto contenido dinámico que le guste, que le sea conocida y que vaya a reproducir con mayor frecuencia en el sistema.
- Gire el control de volumen de la unidad fuente hasta su mayor nivel de salida sin distorsión. Si no tiene equipo de prueba, este punto debe estar entre tres cuartos y el máximo de volumen, dependiendo de la calidad de la unidad fuente. Escuche atentamente. Si oye distorsión, reduzca el volumen de la unidad fuente hasta que la salida pierda la distorsión. Deje el control de volumen en esta posición mientras ajusta el sistema.
- Escuchando la música dinámica escogida, suba el control de nivel correspondiente a la salida de frecuencias medias hasta que oiga una ligera distorsión y luego bájelo levemente hasta que la distorsión desaparezca. Dependiendo del sistema, es posible que la salida de altavoz de frecuencias medias esté en el mismo canal que la salida de tweeter.
- Suba el control de nivel correspondiente a la salida de tweeter hasta que oiga una ligera distorsión y luego bájelo levemente hasta que la distorsión desaparezca. Dependiendo del sistema, es posible que la salida de altavoz de frecuencias medias esté en el mismo canal que la salida de tweeter.
- Hágale ajustes menores al nivel de salida entre las frecuencias medias y los tweeters. Consulte la sección Controles, salidas y entradas de nivel de línea de este manual para ver instrucciones detalladas.
- Repita los pasos 5 a 7 con los altavoces traseros. Si no tiene altavoces traseros, continúe con el paso 10.
- Fije los niveles de los altavoces de frecuencias medias y los tweeters delanteros y traseros para lograr un equilibrio delantero/trasero óptimo.
- Gire el control de nivel correspondiente a la salida de woofer hasta que oiga una ligera distorsión y luego bájelo levemente hasta que la distorsión desaparezca.
- Hágale ajustes menores al nivel de salida de los altavoces satélite y los woofers. Consulte la sección Controles, salidas y entradas de nivel de línea de este manual para ver instrucciones detalladas. Ajuste el nivel de salida de bajos del woofer para que corresponda a los requisitos de sonido del sistema.
- Disfrute de su maravilloso sistema de sonido de la serie PA D de Polk Audio.

SUGERENCIAS DE DETECCIÓN Y REPARACIÓN DE AVERÍAS

Síntoma	Causa probable	Medidas a tomar
No hay salida		
	El encendido a distancia está bajo o no funciona.	Revise el encendido a distancia en el amplificador y repárelo según sea necesario.
	Fusible quemado.	Verifique la integridad del cable de alimentación y vea si hay cortocircuitos en los altavoces. Repárelos según sea necesario y cambie el fusible.
	Los cables de alimentación no están conectados.	Revise las conexiones del cable de alimentación y del cable de conexión a tierra y repárelas según sea necesario.
	La salida de sonido no está conectada.	Revise las conexiones de nivel de línea y repárelas o cámbielas según sea necesario.
	Los cables de altavoz no están conectados.	Revise los cables de altavoz y repárelos o cámbielos según sea necesario.
	Los altavoces están quemados.	Pruebe el sistema con altavoces que funcionen y repare o cambie los altavoces según sea necesario.
El sonido va y viene cíclicamente		
	La protección térmica se activa cuando la temperatura del disipador térmico supera los 85 °C (185 °F).	Asegúrese de que haya ventilación adecuada para el amplificador y mejore la ventilación según sea necesario.
	Entradas de sonido malas o flojas.	Revise las conexiones de nivel de línea y repárelas o cámbielas según sea necesario.
	Conexiones de alimentación flojas.	Revise los cables de alimentación y las conexiones a tierra y repárelas o cámbielas según sea necesario.
Salida distorsionada		
	La sensibilidad de nivel del amplificador es demasiado alta y excede la capacidad máxima del amplificador.	Vuelva a ajustar la amplificación. Consulte la sección Ajuste de sonido del sistema de este manual para ver instrucciones detalladas.
	La carga de impedancia para el amplificador es demasiado baja.	Revise la carga de impedancia de altavoz. Si es menos de 1 Ω, vuelva a cablear los altavoces para generar mayor impedancia.
	Cortocircuito en los cables de altavoz.	Revise los cables de altavoz y repárelos o cámbielos según sea necesario.
	El altavoz no está conectado correctamente al amplificador.	Revise los cables de altavoz y repárelos o cámbielos según sea necesario. Consulte la sección Diagrama de cableado de altavoces de este manual para ver instrucciones detalladas.
	El crossover interno no se ha fijado correctamente para los altavoces.	Vuelva a ajustar los crossovers. Consulte la sección Controles y entradas de nivel de línea de este manual para ver instrucciones detalladas.
	Los altavoces están quemados.	Pruebe el sistema con altavoces que funcionen y repare o cambie los altavoces quemados según sea necesario.

SUGERENCIAS DE DETECCIÓN Y REPARACIÓN DE AVERÍAS

Síntoma	Causa probable	Medidas a tomar
Mala respuesta de bajos		
	Los altavoces cableados con la polaridad equivocada causan cancelación a frecuencias bajas.	Revise la polaridad de los altavoces y cámbiela según sea necesario.
	El crossover se ha configurado incorrectamente.	Vuelva a ajustar los crossovers. Consulte la sección Controles y entradas de nivel de línea de este manual para ver instrucciones detalladas.
	La carga de impedancia para el amplificador es demasiado baja.	Revise la carga de impedancia de altavoz. Si es menos de 1 Ω, vuelva a cablear los altavoces para generar mayor impedancia.
El fusible de la batería se quema		
	Cortocircuito en el cable de alimentación o cableado incorrecto.	Revise los cables de alimentación y de conexión a tierra y repárelos según sea necesario.
	El valor nominal del fusible es menor que lo recomendado.	Cambie el fusible por uno de valor nominal apropiado.
	La corriente real excede el valor nominal del fusible.	Revise la carga de impedancia de altavoz. Si es menos de 1 Ω, vuelva a cablear los altavoces para generar mayor impedancia.
El fusible del amplificador se quema		
	El valor nominal del fusible es menor que lo recomendado.	Cambie el fusible por uno de valor nominal apropiado.
	La carga de impedancia para el amplificador es demasiado baja.	Revise la carga de impedancia de altavoz. Si es menos de 1 Ω, vuelva a cablear los altavoces para generar mayor impedancia.
	El altavoz está quemado y tiene un cortocircuito en las salidas.	Pruebe el sistema con altavoces que funcionen y repare o cambie los altavoces quemados según sea necesario.
	La corriente real excede el valor nominal del fusible.	Revise la carga de impedancia de altavoz. Si es menos de 1 Ω, vuelva a cablear los altavoces para generar mayor impedancia.
	Actual current exceeds fuse rating.	Revise la carga de impedancia de altavoz. Si es menos de 1 Ω, vuelva a cablear los altavoces para generar mayor impedancia.

ESPECIFICACIONES

Amplificador	PA D1000.1
Tipo	MOSFET Clase D
Canales	monobloque
Potencia continua RMS a 4 Ω	500 W x 1
Potencia continua RMS a 2 Ω	800 W x 1
Potencia continua RMS a 1 Ω	1200 W
Distorsión a la potencia nominal	<0.1%
Se incluye el control remoto de amplificación	Sí
Impedancia mínima sin puente	1 Ω
Relación de señal a ruido	105 dB
Respuesta de frecuencias	20 Hz a 200 Hz
Coefficiente de amortiguamiento	>150
Pendiente del filtro de crossover (dB/octava)	12 dB/octava
Rango de frecuencias del filtro subsónico	20 Hz a 38 Hz
Rango de frecuencias del filtro de pasabajas	40 Hz a 220 Hz

Amplificador	PA D1000.1
Frecuencia de refuerzo de bajos	44 Hz
Refuerzo de bajos (dB)	Variable (0 dB a 12 dB)
Entradas de nivel de línea (s/n)	Sí
Salidas de nivel de línea (s/n)	Sí
Indicador LED de alimentación	Sí
Indicador LED de protección	Sí
Sensibilidad de entrada	200 mV a 6 V
Voltaje de alimentación	10 V a 16 V
Fusibles: valor nominal y tipo	(3) 40 A, tipo ATC
Entradas de alimentación y salidas de altavoces	4 AWG
Conexiones a tierra	4 AWG
Conexiones de altavoces	12 AWG
Altura	1 13/16 plg. (46 mm)
Fondo	6 3/4 plg. (171.5 mm)
Ancho	12 15/16 plg. (328.6 mm)
Ancho con adaptador de terminales	13 11/16 plg. (347.7 mm)
Peso	6.5 lbs (2.95 kg)

INHALT

EINFÜHRUNG	34
KARTONINHALT	34
VORSICHT BEIM ZUHÖREN!	34
DIE WERKZEUGE	34
LAYOUTS DER ENDABDECKUNG	35 - 36
Line-Level-Eingänge/Ausgänge/Steuererelemente	35
Netzanschlüsse/Lautsprecherausgänge	35 - 36
VERSTÄRKERANSCHLUSS	36
Stromanschlüsse	36
Lautsprecheranschluss-Diagramm	36
VERSTÄRKERINSTALLATION	37
Einbaupositionen	37
Fahrgastraum	37
Kofferraum	37
INSTALLATIONSRICHTLINIEN	37 - 38
EINRICHTUNG UND PROBLEMBEHEBUNG	38 - 41
Systemtest	38
Systemsound einstellen	38 - 39
Problemlösungen	40 - 41
TECHNISCHE DATEN	42

EINFÜHRUNG

Vielen Dank für den Kauf eines Polk Audio Verstärkers der PA-D-Serie. Jeder Polk Audio PA-D-Verstärker ist in seiner Klasse führend und bietet maximale Leistung, umfassende Funktionen und hohen Bedienkomfort. In High-End-Sound-Systemen oder Hochschalldrucksystemen garantieren Polk Audio PA-D-Verstärker jahrelangen problemlosen Betrieb.

- **PA D1000.1**—1200 W x 1 RMS bei 1 Ohm; 800 W x 1 RMS bei 2 Ohm; 500 W x 1 RMS bei 4 Ohm.

Hinweis: Eine unsachgemäße Installation kann die Leistung Ihres Polk Audio PA-D-Verstärkers reduzieren und möglicherweise auch die Zuverlässigkeit dieses Verstärkers beeinträchtigen. Um einen guten Klang und einen zuverlässigen Betrieb der Komponenten zu gewährleisten, wenden Sie sich bitte an Ihren autorisierten Fachhändler, um Hilfe oder Ratschläge bezüglich der Installation zu erhalten. Wenn Sie die Installation selbst ausführen, sollten Sie unbedingt vor Beginn der Installation das gesamte Handbuch durchlesen (siehe „Installationsrichtlinien“ auf Seite 37).

HEBEN SIE DIESE INFORMATIONEN AUF

Modell: _____

Seriennummer: _____

Kaufdatum: _____

KARTONINHALT

- Polk Audio-Verstärker
- Kreuzschlitzschrauben (8)
- Benutzerhandbuch
- Online-Registrationskarte
- Pegel-Fernbedienung
- Pegel-Fernbedienungskabel
- Terminalblock-Adapter

Wichtiger Hinweis: Falls Sie Schäden oder fehlende Teile bemerken oder der Polk Audio-Verstärker der PA-D-Serie nicht funktioniert, kontaktieren Sie bitte sofort Ihren Händler. Behalten Sie den Originalkarton und das Verpackungsmaterial, um das Produkt in Zukunft transportieren zu können.

WARNUNG: VORSICHT BEIM ZUHÖREN!

Polk Audio-Verstärker, -Lautsprecher und -Subwoofer können extrem hohe Lautstärkepegel erzeugen, die schwere oder permanente Hörschäden verursachen könnten. Polk Audio ist für auf den Missbrauch seiner Produkte zurückzuführende Hörschäden, Verletzungen oder Sachschäden nicht haftbar. Beachten Sie diese Richtlinien und begrenzen Sie die Lautstärke auf ein vernünftiges Maß. Weitere Informationen über sichere Lautstärkepegel finden Sie unter: www.osha.gov/dts/osta/otm/noise/standards_more.html

DIE WERKZEUGE

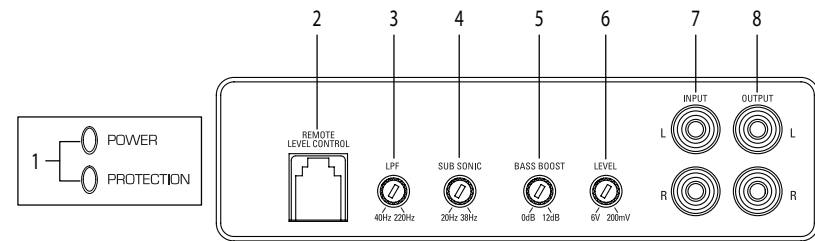
Es folgt eine Liste der wichtigsten für die Installation notwendigen Werkzeuge.

Wenn Sie die richtigen Werkzeuge haben, wird die Installation viel einfacher.

- Kreuzschlitzschraubendreher
- Schutzbrille
- Wasserfester Filzstift oder Bleistift
- Digital-Multimeter oder Voltmeter
- Abisolierwerkzeug und Drahtschneider
- Isolierband
- Verstärker-Netzkaabel
- Klemmvorrichtungen für lötfreie Verbindungen und Krimpwerkzeug
- Bohrmaschine und 3/16- und 1/8-Zoll-Bohrer
- Nylonriemen
- Crimpzange
- Schutztüllen, um Kabel durch Metallwände im Auto zu führen

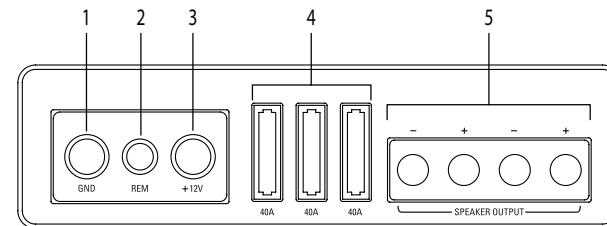
LAYOUTS DER ENDABDECKUNG

Line-Level-Eingänge/Ausgänge/Steuer-elemente des PA D1000.1



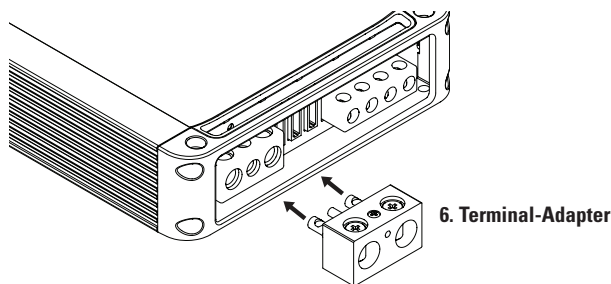
- 1. Status-LEDs (oben am Verstärker): Netz und Schutzfunktion**—Die Netz-LED leuchtet auf, um anzuzeigen, dass der Verstärker eingeschaltet ist und normal funktioniert. Die Schutzfunktions-LED leuchtet, wenn der Verstärker wegen eines Kurzschlusses, eines Gleichspannungsoffsets oder wegen einer durch die integrierte Schutzschaltung entdeckten Überhitzung ausgeschaltet wird.
- 2. Pegel-Fernbedienung**—Zum Anschluss des Basspegel-Bedienungsmoduls.
- 3. Variabler LPF-Regler**—Stellt die Tiefpassfilterfrequenz ein, um Frequenzen oberhalb des am Regler eingestellten Werts abzuschwächen.
- 4. Subsonic-Filter**—Von 20 Hz - 38 Hz einstellbar.
- 5. Bass-Boost-Regler**—Von 0 dB - 12 dB einstellbarer Bass-Boost.
- 6. Pegelregler**—Regelt den Verstärkungsfaktor des Kanals, um ihn an die Ausgangsspannung des Autoradios anzupassen.
- 7. Line-Level-Eingänge**—Für Line-Level-Signale von einem Autoradio, Vorverstärker oder Equalizer.
- 8. Line-Level-Ausgänge**—Bieten ein Vollbereichssignal zum einfachen Anschluss an weitere Verstärker.

Netzanschlüsse/Lautsprecherausgänge des PA D1000.1



- 1. GND (Masse)**—Verbinden Sie diesen Anschluss direkt mit dem Karosserieblech und verwenden Sie hierzu einen möglichst kurzen Draht. Verwenden Sie immer Draht mit der gleichen oder größeren Stärke wie das +12-Volt-Stromkabel. Der Anschlusspunkt an der Karosserie sollte von Lack und Schmutz frei gekratzt werden. Verwenden Sie an beiden Enden dieses Kabels nur hochwertige Quetsch- und/oder Lötverbindungen. Verbinden Sie diesen Anschluss NICHT direkt mit dem Masseanschluss der Fahrzeugbatterie oder anderen Werks-Erdungsstellen.
- 2. REM (Fern-einschaltung)**—Dieser Anschluss schaltet den Verstärker ein, wenn +12 Volt Spannung anliegt. Verbinden Sie ihn mit dem Fern-einschaltkabel des Autoradios.
- 3. +12 V Power**—Verbinden Sie diesen Anschluss über eine SICHERUNG oder einen TRENN-SCHALTER mit dem Pluspol der Fahrzeugbatterie oder dem Pluspol einer isolierten Audiosystem-Batterie.
WARNUNG: Schützen Sie dieses Stromkabel immer durch den Einbau einer Sicherung oder eines Trennschalters der passenden Größe innerhalb von 30 cm vom Batterieanschluss.
- 4. Fuse (Sicherung)**—Diese Sicherungen (40 A x 3) schützen den Verstärker gegen interne elektrische Beschädigung und dienen nur zum Schutz des Verstärkers. Alle anderen Stromanschlüsse sollten an der Stromquelle abgesichert werden.
- 5. Speaker Output (Lautsprecherausgang)**—Schließen Sie die Lautsprecher hier an.

- 6. Terminal-Adapter**—Der Adapter ermöglicht die Verwendung von Kabeln bis zu 0000AWG für die Masseverbindung und die +12V-Verbindungen (siehe unten stehende Abbildung).



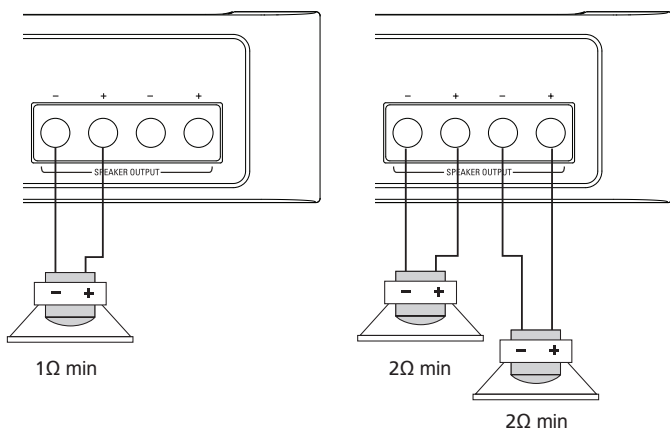
VERSTÄRKERANSCHLUSS

Stromanschlüsse

- PA D1000.1 Sicherungsgröße: 3 x 40 AMP ATC.
- Stromanschlüsse mit bis zu 4 AWG Drahtdicke.
- 4 AWG Strom- und Erdungskabel werden für optimale Leistung empfohlen.
- Durch Sicherungsfassung +12V an die Batterie anschließen. Dieser Anschluss liefert +12 V Strom an den Verstärker.
- Das Stromkabel muss in weniger als 30 cm Abstand von der Batterie abgesichert werden.
- Der Verstärker muss an einem guten Chassis-Erdungspunkt geerdet werden, der nicht zu weit entfernt ist.
- Schließen Sie den REM-Anschluss an die Fernschaltungsleitung des Autoradios an. Dieser Anschluss liefert +12 V Strom zum Einschalten des Verstärkers.
- Fügen Sie zwischen dem negativen Batteriepol und dem Chassis ein weiteres Erdungskabel ein.

Lautsprecher-Anschlussdiagramm PA D1000.1

Der Verstärker Polk Audio PA D1000.1 bietet zwei positive und zwei negative Ausgangsterminals, die den Lautsprecheranschluss erleichtern. Da es sich um einen Mono-Verstärker handelt, sind die Verbindungen intern parallel geschaltet. Der Verstärker ist an 1 Ohm stabil.



VERSTÄRKERINSTALLATION

Einbaupositionen

Der Einbauort des Verstärkers hängt von mehreren wichtigen Faktoren ab. Aufgrund der niedrigen Höhe und kompakten Bauweise der Polk Audio-Verstärker der PA-D-Serie gibt es viele mögliche Einbauorte, die eine ausreichende Verstärkerleistung gewährleisten. Installieren Sie den Verstärker stets an einer vor den Elementen geschützten Stelle. Zudem müssen Sie den Verstärker auf einer stabilen, ebenen Oberfläche installieren.

HINWEIS: Der umgekehrte Einbau von Verstärkern ist nicht zu empfehlen, da dies zu einem vorzeitigen Auslösen des Überhitzungsschutzes führen kann.

WARNUNG! Installieren Sie den Verstärker NIE im Motorraum. Verstärker sind nicht für die raue Umgebung des Motorraums konzipiert.

Fahrgastraum

Wenn Sie den Verstärker im Fahrgastraum installieren wollen, müssen Sie auf ausreichenden Freiraum zur Lüftung achten. Beim Einbau eines Verstärkers unter einem Sitz oder in einem ähnlichen Bereich müssen Sie mindestens 2,5 cm Freiraum um den Verstärker herum lassen, um ihn ausreichend zu kühlen.

Kofferraum

Der Einbau des Verstärkers im Kofferraum bietet hervorragende Leistung, solange der Luftstrom um den Kühlkörper des Verstärkers nicht behindert wird. Lassen Sie um den Verstärker möglichst viel Freiraum, um die besten Ergebnisse zu erzielen. Diese Einbaumethode bietet aufgrund des Konvektionseffekts des Verstärkergehäuses die beste Kühlung.

INSTALLATIONSRICHTLINIEN

Die meisten Fahrzeuge können genug Strom für Systeme mit einem Verstärker liefern. Systeme mit mehr Verstärkern benötigen eventuell eine stärkere Batterie, Lichtmaschine oder den Einsatz eines Speicherkondensators. Polk Audio-Verstärker der PA-D-Serie erzeugen im Normalbetrieb eine gewisse Wärmemenge. Vergewissern Sie sich, dass die Luftzirkulation um den Verstärker nicht behindert wird. Denken Sie daran, dass Badetücher, die Wäsche der letzten Woche, Schulbücher und Hausaufgaben, die man auf dem Verstärker stapelt, den Luftstrom beeinträchtigen und Schäden verursachen können.

1. Lesen Sie bitte dieses Benutzerhandbuch vor Installation des Verstärkers sorgfältig durch.
2. Trennen Sie den Masseanschluss der Batterie, bevor Sie elektrische Verbindungen herstellen.
3. Suchen Sie nach Gefahrenstellen oder Hindernissen wie Benzintank, Benzinleitungen bzw. Bremsleitungen oder Kabelbäumen, bevor Sie den Verstärker einbauen.
4. Wählen Sie einen Einbauort, der leicht zugänglich und ausreichend belüftet ist und den Verstärker vor Hitze, Feuchtigkeit und Schmutz schützt.
5. Vermeiden Sie beim Verlegen der Kabel zum Verstärker scharfe Metallkanten und verlegen Sie die RCA-Kabel von Stromkabeln und anderen Kabelbäumen entfernt, die Störungen verursachen könnten.
6. Der Verstärker sollte mit einem kurzen, starken Draht direkt mit einer blanken Metallstelle am Auto verbunden werden, am besten eine abgeschabte Stelle des Karosserieblechs. Verwenden Sie keine Werks-Erdungsstellen, Sitzbolzen oder punktgeschweißte Halterungen.
7. Versehen Sie Ihre Stromleitung innerhalb von 30 cm vom Masseanschluss der Batterie mit einer Sicherung. Verwenden Sie eine Sicherung oder einen Trennschalter mit einer höheren Wertung als die integrierte(n) Sicherung(en) des/der Verstärker(s). Bei der Wahl der Stärke des Kabels sollte der Gesamtstromverbrauch des Systems und die Länge des Kabels in Betracht gezogen werden. IASCA und andere Autosoundwettbewerb-Organisationen haben Tabellen dafür, und Sie können auch eine Tabelle im MECP-Leitfaden finden. Auf der Seite mit den technischen Daten finden Sie die empfohlene Mindestdrahtstärke für die jeweiligen Verstärker. Verwenden Sie für das Massekabel des Verstärkers stets die gleiche Drahtstärke wie für dessen Stromkabel. Überprüfen Sie das Massekabel der Autobatterie und verbessern Sie es, falls nötig, indem Sie einen weiteren Massedraht hinzufügen, der die gleiche Drahtstärke wie das Netzkabel des Verstärkers hat. Denken Sie daran, dass der Verstärker seine Nennleistung nur dann erbringen kann, wenn er nicht durch Strom- und Massekabel begrenzt wird.

8. Dieser Verstärker ist auf einen Lautsprecherwiderstand von 1 bis 8 Ohm ausgelegt. Denken Sie daran, dass langfristig die Hitze der Feind der Autoelektronik ist, und je niedriger die Impedanz ist, desto mehr Hitze wird erzeugt. Bei Lautsprechern mit niedriger Impedanz oder Installationen mit eingeschränkter Lüftung wäre ein externer Lüfter empfehlenswert.
9. Die Batterie- und Masseverbindungen zum Auto sollten mit Quetschringverbindungen passender Größe (die Oberfläche ist wichtig) durchgeführt werden; ein Verlöten nach dem Quetschen ist ebenfalls zu empfehlen.
10. Aufgrund des Hochgeschwindigkeits-MOSFET-Schaltnetzgeräts ist ein Filter am Stromkabel meist nicht erforderlich (denken Sie daran, dass der Verstärker nicht seine volle Leistung erbringen kann, wenn die Stromversorgung eingeschränkt ist). Es ist unbedingt erforderlich, die Signalquelle fachgemäß zu erden, damit der Verstärker seine Spitzenleistung erreichen kann. Wenn die RCA-Eingänge nicht ausreichend über die Signalquelle geerdet sind, können elektrische Interferenzen aus dem Fahrzeug vom System empfangen werden.

Schrittweise Installation

1. Legen Sie den Einbauort des Verstärkers fest. Siehe hierzu den Abschnitt Einbaupositionen in dieser Anleitung.
2. Wählen Sie die Systemkonfiguration Ihres Verstärkers. Vorschläge hierzu finden Sie im Abschnitt Lautsprecher-Anschlussdiagramme in dieser Anleitung.
3. Verlegen Sie alle Kabel vom Verstärker zu den Lautsprechern, zum Autoradio und zur Batterie. Schließen Sie jetzt die Batterie noch nicht an. Verlegen Sie Line-Level- und Strom- und Lautsprecherkabel von den werksseitig installierten Stromkabeln entfernt, da diese Störungen verursachen können.
4. Bohren Sie die Verstärker-Befestigungslöcher vor. Denken Sie nach, bevor Sie bohren. Benzintanks, Benzingleitungen und andere Hindernisse sind oft schwer zu sehen. Verwenden Sie einen Markierstift, um die Befestigungslöcher zu markieren, und bohren Sie diese mit einem standardmäßigen 1/8-Zoll-Bohrer vor.
5. Bauen Sie den Verstärker ein. Stellen Sie sicher, dass der Verstärker auf einer ebenen Oberfläche installiert wird. Wenn dies nicht möglich ist, dürfen Sie die Schrauben nicht zu fest anziehen, damit weder das Chassis noch der Verstärker verbogen werden.
6. Drehen Sie den Zündschlüssel auf die Aus-Position.
7. Trennen Sie den Masseanschluss der Fahrzeugbatterie.
8. Schließen Sie die Stromkabel an den Verstärker an (erst Erdung, dann +12V und REM).
9. Schließen Sie die Line-Level- und Lautsprecherkabel an den Verstärker an. Prüfen Sie die Qualität der Lautsprecher- und Signalanschlüsse. Dies wird letztendlich die Leistung Ihres Polk Audio-Verstärkers der PA-D-Serie bestimmen. Die Abschnitte Line-Level-Eingänge/Ausgänge/Steuerelemente und Lautsprecher-Anschlussdiagramme in dieser Anleitung enthalten die fachgerechten Anschlussanweisungen.
10. Schließen Sie nach der Verbindung der Strom-, Lautsprecher- und Line-Level-Kabel den Masseanschluss wieder an die Batterie an.
11. Stellen Sie die Crossover-Einheiten ein. Detaillierte Anweisungen finden Sie im Abschnitt Line-Level-Eingänge/Ausgänge/Steuerelemente in dieser Anleitung.
12. Wenn Sie sichergestellt haben, dass alle Verbindungen und Einstellungen korrekt sind, installieren Sie die Sicherung in der Nähe der Fahrzeugbatterie und fahren mit dem Abschnitt Systemtest fort.

WARNUNG! Überschreiten Sie NIE die für den Verstärker empfohlene Sicherungsgröße. Ansonsten könnte die Garantie erlöschen und der Verstärker beschädigt werden.

EINSTELLUNG UND PROBLEMLÖSUNG

Systemtest

Nach Abschluss der Installation müssen Sie das System testen. Dadurch stellen Sie einen langen, problemlosen Betrieb sicher. Folgen Sie beim Test Ihres Polk Audio-Verstärkers der PA-D-Serie bitte den unten stehenden Schritten.

1. Prüfen Sie, ob alle Kabelanschlüsse korrekt und fest sind.
2. Stellen Sie den Signalquellen-Lautstärkeregler ganz niedrig. Stellen Sie etwaige Tonregler auf die Neutralpositionen. Dazu gehört auch der Loudness-Regler.
3. Stellen Sie die Pegelregler des Verstärkers auf die Minimalpositionen.

4. Schalten Sie das Autoradio ein. Prüfen Sie, ob die Netz-LED an der Anschluss-Seite des Verstärkers aufleuchtet. Ist dies nicht der Fall, folgen Sie den Hinweisen in den Abschnitten Netzanschlüsse/Lautsprecherausgänge und Problemlösungen in dieser Anleitung.
5. Wenn Sie ein nachgerüstetes Autoradio verwenden, drehen Sie die Pegelregler des Verstärkers etwa eine Vierteldrehung gegen den Uhrzeigersinn. Erhöhen Sie langsam die Lautstärke des Autoradios, so dass Sie den Systemton hören können. Wenn Sie keinen Sound hören oder der Sound verzerrt klingt, schalten Sie das System sofort aus. Folgen Sie den Hinweisen in den Abschnitten Netzanschlüsse/Lautsprecherausgänge und Problemlösungen in dieser Anleitung, um die Installationsprobleme zu lösen.
6. Prüfen Sie den Sound für jeden Kanal. Wenn aktive Crossover-Einheiten verwendet werden, prüfen Sie, dass der Sound vom Verstärker korrekt klingt. Bei der Verwendung aktiver Crossover-Einheiten für Mittel- und Hochtöner dürfen keine niedrigeren Crossover-Frequenzen als die empfohlenen verwendet werden. Wenn es Probleme mit der Systemkonfiguration gibt, folgen Sie den Anweisungen im Abschnitt Line-Level-Eingänge/Ausgänge/Steuerelemente, um diese zu beheben.
7. Wenn der Sound klar und nicht verzerrt klingt, machen Sie mit den Anweisungen im Abschnitt Systemton einstellen in dieser Anleitung weiter.

Systemton einstellen

Nachdem Sie den Betrieb des Systems geprüft haben, stellen Sie den Systemton ein. Sie tun dies, indem Sie die Pegelregler und die internen Crossover-Einheiten einstellen (siehe Line-Level-Eingänge/Ausgänge/Steuerelemente auf Seite 35).

1. Stellen Sie den Signalquellen-Lautstärkeregler ganz niedrig. Stellen Sie etwaige Tonregler auf die Neutralpositionen. Dazu gehört auch der Loudness-Regler.
2. Stellen Sie die Pegelregler des Verstärkers auf die Minimalpositionen.
3. Wählen Sie dynamische Musik, die Ihnen gefällt, die Sie gut kennen und die Sie am häufigsten abspielen werden.
4. Drehen Sie den Lautstärkeregler des Autoradios auf den höchsten unverzerrten Pegel. Wenn Sie kein Testgerät haben, können Sie annehmen, dass dieser Punkt zwischen $\frac{3}{4}$ und der Maximallautstärke liegt, je nach Qualität des Autoradios. Prüfen Sie, ob Sie Verzerrungen hören können. Wenn Verzerrungen hörbar sind, senken Sie die Lautstärke des Autoradios, bis der Sound unverzerrt klingt. Lassen Sie den Lautstärkeregler während der Systemeinstellung auf diesem Wert.
5. Während Sie Ihre gewählte dynamische Musik anhören, drehen Sie den Pegelregler für den Mitteltonbereich höher, bis Sie etwas Verzerrung hören, und senken ihn dann wieder etwas ab, so dass die Verzerrung verschwindet. Je nach System können sich der Mittel- und Hochtönerausgang auf den gleichen Ausgangskanälen befinden.
6. Drehen Sie den Pegelregler für den Hochtönerbereich höher, bis Sie etwas Verzerrung hören, und senken ihn dann wieder etwas ab, so dass die Verzerrung verschwindet. Je nach System können sich der Mittel- und Hochtönerausgang auf den gleichen Ausgangskanälen befinden.
7. Führen Sie eine Feineinstellung des Pegels zwischen Mittel- und Hochtönern durch. Detaillierte Anweisungen finden Sie im Abschnitt Line-Level-Eingänge/Ausgänge/Steuerelemente in dieser Anleitung.
8. Wiederholen Sie Schritte 5-7 für die hinteren Lautsprecher. Wenn Sie keine hinteren Lautsprecher haben, machen Sie mit Schritt 10 weiter.
9. Legen Sie die Pegel zwischen den vorderen und hinteren Mittel- und Hochtönern fest, um die optimale Balance zwischen vorn/hinten zu erreichen.
10. Drehen Sie den Pegelregler für den Tieftönerbereich höher, bis Sie etwas Verzerrung hören, und senken ihn dann wieder etwas ab, so dass die Verzerrung verschwindet.
11. Führen Sie eine Feineinstellung des Pegels zwischen Satellitenlautsprechern und Tieftönern durch. Informationen über die Steuerelemente finden Sie im Abschnitt Line-Level-Eingänge/Ausgänge/Steuerelemente in dieser Anleitung. Passen Sie den Basspegel des Tieftöners an die Klanganforderungen des Systems an.
12. Viel Spaß mit Ihrem fantastischen Polk Audio-Verstärker der PA-D-Serie.

PROBLEMLÖSUNGEN

Symptom	Mögliche Ursache	Lösung
Kein Sound		
	Schwache oder fehlende Ferneinschaltung.	Prüfen Sie die Ferneinschaltung am Verstärker und reparieren Sie diese ggf.
	Sicherung durchgebrannt.	Prüfen Sie das Stromkabel und etwaige Kurzschlüsse an den Lautsprechern. Reparieren Sie das Kabel ggf. und wechseln Sie die Sicherung aus.
	Stromkabel nicht angeschlossen.	Prüfen Sie das Stromkabel und die Erdungsanschlüsse und reparieren oder ersetzen Sie diese ggf.
	Audioeingang nicht angeschlossen.	Prüfen Sie die Line-Level-Verbindungen und reparieren oder ersetzen Sie sie ggf.
	Lautsprecherkabel nicht angeschlossen.	Prüfen Sie die Lautsprecherkabel und reparieren oder ersetzen Sie sie ggf.
	Lautsprecher defekt.	Prüfen Sie das System mit Lautsprechern, die funktionieren, und reparieren oder ersetzen Sie ggf. die defekten Lautsprecher.
Audiosystem schaltet sich ein und aus		
	Der Überhitzungsschutz wird aktiviert, wenn die Kühlkörpertemperatur 85° C überschreitet.	Vergewissern Sie sich, dass für den Verstärker genügend Lüftung vorhanden ist und verbessern Sie ggf. die Lüftung.
	Lockerer oder schlecht funktionierender Audioeingang.	Prüfen Sie die Line-Level-Verbindungen und reparieren oder ersetzen Sie sie ggf.
	Lockerer Stromanschluss.	Prüfen Sie das Stromkabel und die Erdungsanschlüsse und reparieren oder ersetzen Sie diese ggf.
Verzerrter Sound		
	Verstärkerpegel-Empfindlichkeit ist zu hoch und überschreitet die maximale Belastbarkeit.	Verstärkung neu einstellen. Anweisungen hierzu finden Sie im Abschnitt Systemsound einstellen in dieser Anleitung.
	Lastimpedanz am Verstärker zu niedrig.	Prüfen Sie die Lautsprecherimpedanz. Wenn sie unter 1 Ohm liegt, müssen Sie die Lautsprecher anders anschließen, um eine höhere Impedanz zu erreichen.
	Kurzschluss in Lautsprecherkabeln.	Prüfen Sie die Lautsprecherkabel und reparieren oder ersetzen Sie sie ggf.
	Lautsprecher nicht korrekt an Verstärker angeschlossen.	Prüfen Sie die Lautsprecherkabel und reparieren oder ersetzen Sie sie ggf.
	Interne Crossover-Einheit nicht richtig eingestellt.	Crossover erneut einstellen. Informationen hierzu finden Sie im Abschnitt Line-Level-Eingänge/Steuer-elemente in dieser Anleitung.
	Lautsprecher defekt.	Prüfen Sie das System mit Lautsprechern, die funktionieren, und reparieren oder ersetzen Sie ggf. die defekten Lautsprecher.

PROBLEMLÖSUNGEN

Symptom	Mögliche Ursache	Lösung
Schlechte Basswiedergabe		
	Lautsprecher wurden falsch gepolt angeschlossen, was tiefe Frequenzen schwächt.	Polung der Lautsprecher prüfen und ggf. ändern.
	Crossover falsch eingestellt.	Crossover-Einheiten neu einstellen. Informationen hierzu finden Sie im Abschnitt Line-Level-Eingänge/Steuer-elemente in dieser Anleitung.
	Lastimpedanz zum Verstärker zu niedrig.	Prüfen Sie die Lautsprecherimpedanz. Wenn sie unter 1 Ohm liegt, müssen Sie die Lautsprecher anders anschließen, um eine höhere Impedanz zu erreichen.
Batteriesicherung brennt durch		
	Kurzschluss im Kabel oder falsche Verkabelung.	Prüfen Sie das Stromkabel und die Erdungsanschlüsse und reparieren oder ersetzen Sie diese ggf.
	Sicherung ist kleiner als empfohlen.	Durch Sicherung mit passender Größe ersetzen.
	Iststrom überschreitet Sicherungsbela-stbarkeit.	Prüfen Sie die Lautsprecherimpedanz. Wenn sie unter 1 Ohm liegt, müssen Sie die Lautsprecher anders anschließen, um eine höhere Impedanz zu erreichen.
Verstärkersicherung brennt durch.		
	Sicherung ist kleiner als empfohlen.	Durch Sicherung mit passender Größe ersetzen.
	Lastimpedanz zum Verstärker zu niedrig.	Prüfen Sie die Lautsprecherimpedanz. Wenn sie unter 1 Ohm liegt, müssen Sie die Lautsprecher anders anschließen, um eine höhere Impedanz zu erreichen.
	Lautsprecherausgänge haben Kurzschluss.	Prüfen Sie das System mit Lautsprechern, die funktionieren, und reparieren oder ersetzen Sie ggf. die defekten Lautsprecher.
	Iststrom überschreitet Sicherungsbela-stbarkeit.	Prüfen Sie die Lautsprecherimpedanz. Wenn sie unter 1 Ohm liegt, müssen Sie die Lautsprecher anders anschließen, um eine höhere Impedanz zu erreichen.

TECHNISCHE DATEN

Verstärker	PA D1000.1
Typ	Klasse D MOSFET
Kanäle	Monoblock
RMS-Dauerleistung bei 4 Ohm	500 W x 1
RMS-Dauerleistung bei 2 Ohm	800 W x 1
RMS-Dauerleistung bei 1 Ohm	1200 W
Verzerrung bei Nennleistung	<0,1 %
Fernverstärkungsfunktion eingeschlossen	Ja
Mindestimpedanz ohne Brückenmodus	1 Ohm
Rauschabstand:	105 dB
Frequenzgang	20 Hz - 200 Hz
Dämpfungsfaktor	>150
Crossover-Filterflankensteilheit (dB/Oktave)	12 dB/Oktave
Subsonicfilter-Frequenzbereich	20 Hz - 38 Hz
Tiefpass-Frequenzbereich	40 Hz - 220 Hz

Verstärker	PA D1000.1
Bass-Boost-Frequenz	44 Hz
Bass-Boost (dB)	Variabel (0 dB - 12 dB)
Line-Level-Eingänge (j/n)	Ja
Line-Level-Ausgänge (j/n)	Ja
Netz-LED	Ja
LED-Schutzmodusanzeige	Ja
Eingangsempfindlichkeit	200 mV - 6 V
Anschlussspannung	10 V - 16 V
Sicherungen und Leistung	(3) 40 Amp. ATC
Stromanschlüsse	4 AWG
Erdung	4 AWG
Lautsprecheranschlüsse	12 AWG
Höhe	46 mm
Tiefe	171,5 mm
Breite	328,6 mm
Breite m. Terminal-Adapter	347,7 mm
Gewicht	2,95 kg

INDICE

INTRODUZIONE	44
CONTENUTO DELLA SCATOLA	44
USARE CAUTELA DURANTE L'ASCOLTO	44
CORREDO PER L'INSTALLAZIONE	44
LAYOUT DEI PANNELLI TERMINALI	45 - 46
Comandi/uscite/ingressi a livello di linea	45
Ingressi di potenza/uscite per gli altoparlanti	45 - 46
CABLAGGIO DELL'AMPLIFICATORE	46
Connessioni di alimentazione	46
Schema circuitale della connessione con gli altoparlanti	46
INSTALLAZIONE DELL'AMPLIFICATORE	47
Punto di installazione	47
Abitacolo	47
Bagagliaio	47
LINEE GUIDA PER L'INSTALLAZIONE	47 - 48
IMPOSTAZIONE E SOLUZIONE DEI PROBLEMI	49 - 51
Prova dell'impianto	49
Regolazione dell'audio dell'impianto	49
Soluzione dei problemi	50 - 51
DATI TECNICI	52

INTRODUZIONE

Grazie per l'acquisto di un amplificatore Polk Audio PA serie D. Ogni modello di questa serie è progettato per essere il leader nella sua classe, offrendo la massima potenza possibile, funzionalità all'avanguardia ed estrema facilità d'uso. Sia in impianti di amplificazione all'avanguardia sia in impianti ad alti livelli di pressione sonora, gli amplificatori PA serie D assicurano anni e anni di prestazioni eccellenti senza problemi.

- **PA D1000.1**—1200 W x 1 valore efficace (RMS) a 1 Ohm; 800 W x 1 RMS a 2 Ohm; 500 W x 1 RMS a 4 Ohm.

Nota: Un'installazione impropria non solo limita i risultati ottenibili dall'amplificatore Polk Audio PA serie D ma può anche comprometterne l'affidabilità. Per essere sicuri di ottenere appropriati livelli sonori e affidabilità dei componenti, consultare il rivenditore se occorre assistenza durante l'installazione. Se si decide di eseguire da soli l'installazione, leggere attentamente l'intero manuale prima di iniziare (vedi Linee guida per l'installazione, a pagina 47).

INSERIRE QUI SOTTO LE SEGUENTI INFORMAZIONI E CONSERVARLE

Modello: _____

Numero di serie: _____

Data di acquisto: _____

CONTENUTO DELLA SCATOLA

- Amplificatore Polk Audio
- Viti con testa a croce (8)
- Manuale del proprietario
- Scheda di registrazione online
- Modulo di comando di livello a distanza
- Cavo per comando di livello a distanza
- Adattatore morsettieria

NOTA BENE: Se mancano componenti o si rilevano danni oppure se l'amplificatore non funziona, contattare immediatamente il rivenditore. Si suggerisce di conservare la scatola e il materiale di imballaggio originari nel caso occorra spedire il prodotto.

ATTENZIONE. USARE CAUTELA DURANTE L'ASCOLTO

Gli amplificatore, gli altoparlanti e i subwoofer Polk Audio sono in grado di funzionare a volumi estremamente alti, che potrebbero causare lesioni gravi o anche permanenti all'udito. Polk Audio non si assume alcuna responsabilità in caso di perdita dell'udito, lesioni personali o danni alle cose risultanti dall'uso improprio dei suoi prodotti. Tenere presenti queste istruzioni e farsi guidare dal buon senso quando si regola il volume. Per ulteriori informazioni sui livelli di sicurezza per l'ascolto, visitare il sito www.osha.gov/dts/osta/otm/noise/standards_more.html

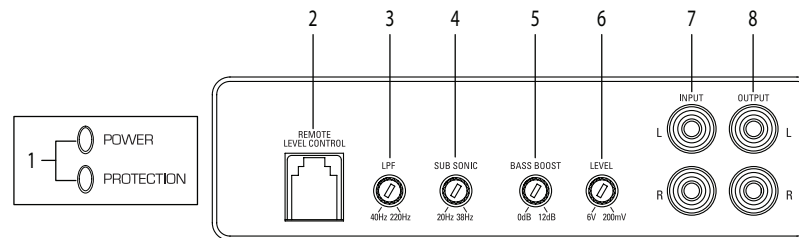
CORREDO PER L'INSTALLAZIONE

Sono elencati di seguito i principali attrezzi e strumenti necessari per eseguire l'installazione. L'impiego dell'attrezzatura adatta agevola notevolmente l'installazione.

- Cacciavite con testa a croce
- Trapano elettrico e punte da 4,7 mm (3/16") e 3,2 mm (1/8")
- Matita o evidenziatore a inchiostro permanente
- Spelafili e tagliafilari
- Nastro isolante
- Cavo di alimentazione dell'amplificatore
- Connettori a crimpare (non richiedono saldatura) e una crimpatrice
- Occhiali di sicurezza
- Multimetro digitale o voltmetro
- Fascette di nylon
- Crimpatrice
- Passacavo per i fori delle lamiere dell'autoveicolo

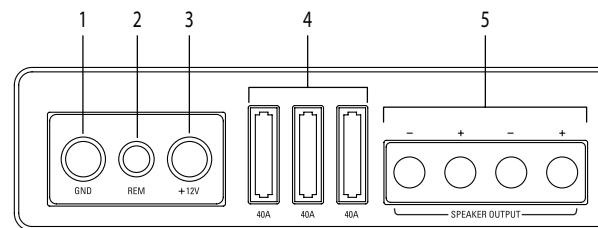
LAYOUT DEI PANNELLI TERMINALI

Comandi/uscite/ingressi a livello di linea del PA D1000.1



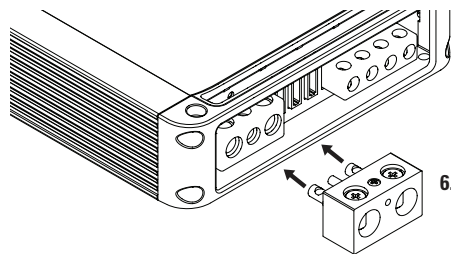
- 1. LED di stato (sulla parte superiore dell'amplificatore): Power/Protection (Alimentazione/Protezione)**—Il LED di alimentazione si illumina per indicare che l'amplificatore è acceso e funziona normalmente, mentre il LED di protezione si accende se l'amplificatore si spegne a causa di un cortocircuito, un offset di corrente continua o un surriscaldamento rilevato dai circuiti di protezione incorporati.
- 2. Jack comando di livello remoto**—Per collegare il modulo di comando a distanza del livello dei bassi.
- 3. Comando variabile LPF**—Serve a regolare la frequenza del filtro passa basso per attenuare le frequenze maggiori di quelle indicate sull'apparecchio.
- 4. Filtro subsonico**—Variabile da 20 Hz a 38 Hz.
- 5. Comando amplificazione dei bassi**—Guadagno variabile da 0 dB a 12 dB.
- 6. Comando di livello**—Serve a regolare il guadagno del canale per adattarlo alla tensione di uscita applicata dal sintonizzatore.
- 7. Ingressi a livello di linea**—Accettano un segnale a livello di linea inviato da un sintonizzatore, un preamplificatore o un equalizzatore.
- 8. Uscite a livello di linea**—Forniscono un segnale nell'intera gamma di frequenze per agevolare la connessione con ulteriori amplificatori.

Ingressi di potenza/uscite per gli altoparlanti del PA D1000.1



- 1. GND (Ground)**—Questo terminale va collegato direttamente al telaio metallico del veicolo impiegando il cavo più corto possibile che permetta di realizzare la connessione. Adoperare sempre un cavo di sezione uguale o maggiore del cavo di alimentazione a + 12 volt. Ripulire e sverniciare il punto di connessione sul telaio. Usare solo connettori di buona qualità, saldati e/o crimpati, a entrambe le estremità di questo cavo di massa. NON collegare direttamente questo terminale al terminale di massa della batteria del veicolo né ad alcun altro punto di massa predisposto dalla fabbrica.
- 2. REM (Remote Turn On)**—Questo terminale accende l'amplificatore quando viene messo sotto tensione, a +12 V. Collegarlo al cavo di accensione a distanza sul sintonizzatore.
- 3. Alimentazione +12V**—Collegare questo terminale, attraverso un fusibile o un interruttore automatico, al terminale positivo della batteria del veicolo o di un impianto audio isolato.
ATTENZIONE. Proteggere sempre questo cavo di alimentazione installando un fusibile o un interruttore automatico di portata adeguata entro 30 centimetri dalla connessione con il terminale della batteria.

4. **Fusibili**—Sono tre, ciascuno da 40 A, e proteggono il solo amplificatore da danni interni. Tutte le altre connessioni di alimentazione devono essere protette con fusibili in corrispondenza del circuito di alimentazione.
5. **Uscite altoparlanti**—Vanno collegate agli altoparlanti.
6. **Adattatore morsettiera**—Questo adattatore permette di adoperare cavi di sezione fino a 107 mm² (0000AWG) per le connessioni di massa e a +12 V (vedi figura sotto).



6. Adattatore morsettiera

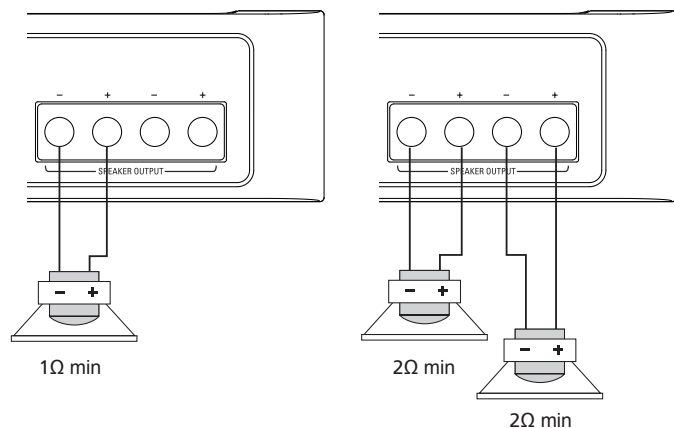
CABLAGGIO DELL'AMPLIFICATORE

Connessioni di alimentazione

- Fusibili del PA D1000.1: tre da 40 ampere ATC.
- Il connettore di alimentazione accetta un cavo di sezione massima pari a 21,1 mm² (4 AWG).
- Per ottenere prestazioni ottimali, è consigliabile usare un cavo di alimentazione e uno di massa entrambi di sezione pari a 21,1 mm².
- Collegare il terminale da 12 V+ alla batteria attraverso il quadro fusibili. Questa connessione alimenta l'amplificatore a una tensione di +12 V.
- Il cavo di alimentazione deve essere protetto con un fusibile a una distanza dalla batteria non superiore a 30 cm.
- Mettere a massa l'amplificatore collegandone lo chassis a un punto di massa adeguato e quanto più vicino possibile all'amplificatore stesso.
- Collegare il terminale REM al cavo di accensione a distanza proveniente dal sintonizzatore. Questa connessione fornisce corrente a +12 V per l'accensione dell'amplificatore.
- Inserire un altro cavo di massa tra il terminale negativo della batteria e lo chassis.

Schema circuitale della connessione con gli altoparlanti del PA D1000.1

L'amplificatore Polk Audio PA serie D1000.1 offre due terminali di uscita positivi e due negativi per agevolare il collegamento con gli altoparlanti; poiché è monofonico, le connessioni sono realizzate in parallelo internamente. È stabile a 1 Ohm.



INSTALLAZIONE DELL'AMPLIFICATORE

Punto di installazione

Il punto in cui collocare l'amplificatore dipende da numerosi fattori importanti. Il profilo ribassato dei compatti amplificatori Polk Audio PA serie D ne permette il fissaggio in molti punti che assicurano prestazioni soddisfacenti. Collocare sempre l'amplificatore in un punto in cui sia protetto dagli elementi climatici e su una superficie stabile e piatta.

NOTA: Si suggerisce di non fissare gli amplificatori capovolti, in quanto possono subire un arresto termico prematuro.

AVVERTENZA NON collocare mai un amplificatore nel vano motore; gli amplificatori non sono costruiti in modo da resistere alle condizioni avverse presenti in questo ambiente.

Abitacolo

Se si intende installare l'amplificatore nell'abitacolo, accertarsi che vi sia spazio adeguato per la ventilazione. Se si monta un amplificatore sotto un sedile o un'area simile, lasciare una luce di almeno 2,5 centimetri intorno all'amplificatore, per il raffreddamento.

Bagagliaio

L'installazione nel bagagliaio assicura prestazioni eccellenti se non si ostruisce il flusso dell'aria intorno al dissipatore termico dell'amplificatore. Per ottenere risultati ottimali, lasciare quanto più spazio libero possibile intorno all'amplificatore. Questo tipo di installazione garantisce il raffreddamento più efficace a causa dell'effetto di convezione dello chassis dell'amplificatore.

LINEE GUIDA PER L'INSTALLAZIONE

Gli impianti con un solo amplificatore possono essere alimentati dalla maggior parte degli impianti elettrici di autoveicoli, mentre quelli con più amplificatori possono richiedere una batteria di capacità maggiore, un alternatore o un condensatore di adeguato immagazzinaggio dell'energia elettrica. Gli amplificatori Polk Audio PA serie D generano una certa quantità di calore durante il normale funzionamento. Accertarsi che l'area intorno all'amplificatore non sia ostruita, per consentire un'adeguata circolazione dell'aria. Tenere presente che teli da spiaggia, indumenti, libri o cartelle situati sopra l'amplificatore ostacolano il flusso dell'aria e possono causare danni.

1. Leggere attentamente il presente manuale prima di installare l'amplificatore.
2. Scollegare il terminale di massa della batteria prima di eseguire connessioni elettriche.
3. Prima di fissare l'amplificatore, controllare se vi sono ostacoli o componenti pericolosi, come serbatoi o tubi del carburante, tubi dell'olio dei freni o cavi elettrici.
4. Scegliere un punto di installazione che assicuri accesso e ventilazione adeguati, e protegga l'amplificatore da temperature elevate, umidità e sporcizia.
5. Evitare le superfici metalliche con spigoli vivi quando si instradano i cavi sino all'amplificatore e disporre i cavi RCA lontano dai cavi di alimentazione e altri cavi dell'autoveicolo che possono generare rumore.
6. L'amplificatore deve essere messo a massa mediante un cavo corto e di grande sezione collegato direttamente a una superficie metallica nuda dell'autoveicolo, preferibilmente una lamiera sverniciata della carrozzeria. Non utilizzare punti di massa predisposti in fabbrica, bulloni dei sedili o staffe, poiché sono stati saldati a punti.
7. Proteggere sempre la connessione di alimentazione con un fusibile o un interruttore automatico inserito entro 30 centimetri dalla connessione con il terminale della batteria e di portata leggermente superiore a quella dei fusibili incorporati nell'amplificatore. La sezione del cavo di alimentazione adoperato deve essere adeguata per la corrente totale assorbita dall'impianto, in base alla lunghezza. IASCA e altre organizzazioni che trattano degli impianti audio per autoveicoli mettono a disposizione tabelle apposite; una tabella è reperibile pure nel manuale (Study Guide) MECP. La sezione dei dati tecnici indica le sezioni massime consigliate dei cavi per ciascun amplificatore. Usare sempre, per la massa dell'amplificatore, un cavo di sezione identica a quello adoperato per il cavo di alimentazione. Esaminare il cavo di massa della batteria dell'autoveicolo e se necessario aggiungere un cavo di massa di sezione identica a quella del cavo di alimentazione dell'amplificatore. Tenere presente che l'amplificatore può generare la potenza di uscita nominale solo se la sua corrente non è limitata dai cavi di alimentazione e di massa.

8. Questo amplificatore è concepito per pilotare altoparlanti che presentano un carico compreso tra 1 e 8 Ohm. Tenere presente che temperature elevate per lunghi periodi possono danneggiare i dispositivi elettronici dell'autoveicolo e che quanto più basso è il carico degli altoparlanti, tanto più calore viene generato. Se si usano altoparlanti a bassa impedenza o impianti a ventilazione limitata, può essere consigliabile ricorrere a una ventola di raffreddamento esterna.
9. Le connessioni alla batteria e alla massa nell'autoveicolo devono essere realizzate con terminali ad anello crimpati di dimensioni appropriate (il fattore importante è l'area); è consigliabile anche saldare i terminali dopo il crimpaggio.
10. A causa dell'alimentatore a commutazione con MOSFET ad alta frequenza, in genere non è necessario usare filtri sul cavo di alimentazione (tenere presente che l'amplificatore non può generare la massima potenza se esistono limitazioni sull'alimentatore). È cruciale la corretta messa a terra della sorgente del segnale affinché l'amplificatore raggiunga prestazioni ottimali. Se gli ingressi RCA non sono messi a massa adeguatamente attraverso la sorgente del segnale, il rumore elettrico del veicolo può essere trasmesso all'impianto.

Procedura di installazione

1. Determinare l'ubicazione dell'amplificatore. Consultare la sezione Scelta del punto di installazione.
2. Stabilire la configurazione dell'impianto in relazione all'amplificatore. Per suggerimenti vedere la sezione Schema circuitale della connessione con gli altoparlanti.
3. Disporre tutti i cavi dall'amplificatore agli altoparlanti, al sintonizzatore e alla batteria; non collegare ancora quest'ultima. Accertarsi che i cavi degli altoparlanti, di alimentazione e a livello di linea siano lontani dai cavi dell'impianto audio e da quelli dell'impianto elettrico del veicolo, dato che possono introdurre facilmente rumore nell'impianto audio.
4. Praticare con un trapano i fori di fissaggio dell'amplificatore, prestando attenzione a evitare serbatoi, tubazioni di alimentazione e altri ostacoli, che possono essere non visibili. Per ottenere risultati ottimali, contrassegnare con un evidenziatore i punti in cui eseguire i fori e impiegare una normale punta da 3,2 mm (1/8").
5. Fissare l'amplificatore, accertandosi che sia collocato su una superficie piatta. Se ciò non è possibile, non serrare eccessivamente le viti, per evitare di deformarne lo chassis.
6. Girare la chiave di accensione del veicolo sulla posizione Off.
7. Scollegare il terminale di massa della batteria del veicolo.
8. Collegare i cavi di alimentazione all'amplificatore (prima quello di massa, poi quelli da +12 V e REM).
9. Collegare i cavi degli altoparlanti e a livello di linea all'amplificatore. Verificare la qualità delle connessioni per il segnale e gli altoparlanti; da queste dipendono in ultima analisi le prestazioni dell'amplificatore Polk Audio PA serie D. Per le istruzioni per il cablaggio consultare le sezioni Comandi/uscite/ingressi a livello di linea e Schema circuitale della connessione con gli altoparlanti.
10. Una volta completate le connessioni di alimentazione, degli altoparlanti e a livello di linea, ricollegare il terminale di massa alla batteria.
11. Reimpostare i crossover; per istruzioni dettagliate consultare la sezione Comandi/uscite/ingressi a livello di linea.
12. Una volta verificate tutte le connessioni e le impostazioni, installare il fusibile situato accanto alla batteria del veicolo e passare alla sezione Prova dell'impianto.

AVVERTENZA MAI utilizzare un fusibile di portata superiore a quella specificata per l'amplificatore. La mancata osservanza di questa precauzione annulla la garanzia e può danneggiare l'amplificatore.

IMPOSTAZIONE E SOLUZIONE DEI PROBLEMI

Prova dell'impianto

Una volta completata l'installazione, occorre provare l'impianto, per accertarsi che l'intera configurazione funzioni senza problemi. Procedere come segue:

1. Accertarsi che tutte le connessioni siano state eseguite correttamente e siano salde.
2. Abbassare al minimo il volume del sintonizzatore e portare gli eventuali comandi dei toni—compreso quello della sonorità—alla posizione di esclusione.
3. Portare i comandi di livello dell'amplificatore sulla posizione di livello minimo.
4. Accendere il sintonizzatore e verificare che il LED di alimentazione, situato sulla parte superiore dell'amplificatore, sia acceso; se non lo è, consultare le sezioni Ingressi di potenza/uscite per gli altoparlanti e Soluzione dei problemi.
5. Se si usa un sintonizzatore non acquistato presso il produttore originale, girare i comandi di livello dell'amplificatore di circa un quarto di giro in senso antiorario. Aumentare lentamente il volume del sintonizzatore in modo da poter udire l'uscita dell'impianto. Se non si sente niente o l'uscita è distorta, spegnere immediatamente l'impianto e consultare le sezioni Ingressi di potenza/uscite per gli altoparlanti e Soluzione dei problemi per risolvere i problemi di installazione.
6. Accertarsi che l'uscita di ciascun canale sia corretta. Se i crossover attivi sono inseriti, verificare che ciascuna uscita dell'amplificatore sia corretta. Quando si usano crossover attivi con midrange e tweeter, non utilizzare frequenze di crossover più basse di quelle raccomandate. Se l'impianto non è configurato correttamente, consultare la sezione Comandi/uscite/ingressi a livello di linea per risolvere il problema.
7. Se il suono è nitido e senza distorsioni, proseguire alla sezione Regolazione dell'audio dell'impianto.

Regolazione dell'audio dell'impianto

Va eseguita una volta verificato il funzionamento dell'impianto e comporta l'impostazione dei comandi di livello e la regolazione dei crossover interni (vedi Comandi/uscite/ingressi a livello di linea a pagina 45).

1. Abbassare al minimo il volume del sintonizzatore e portare gli eventuali comandi dei toni—compreso quello della sonorità—sulla posizione di esclusione.
2. Portare i comandi di livello dell'amplificatore sulla posizione di livello minimo.
3. Scegliere una musica con elevati contenuti dinamici, con la quale si ha familiarità e che sarà riprodotta spesso.
4. Aumentare il volume del sintonizzatore al più alto livello di uscita che non causa distorsioni; se non si dispone di una strumentazione di prova, si raggiunge questo punto fra i 3/4 e il massimo volume, secondo la qualità del sintonizzatore. Controllare se ci sono distorsioni udibili e in caso positivo, ridurre il volume del sintonizzatore finché l'uscita non è più distorta; lasciare il comando del volume su questa posizione durante la messa a punto dell'impianto.
5. Mentre si ascolta la musica dinamica scelta, aumentare il livello corrispondente all'uscita del midrange finché non si sente una leggera distorsione, quindi girare il comando del livello in modo da non sentirla più. Secondo il tipo di impianto, l'uscita del midrange e quella del tweeter potrebbero essere collegate agli stessi canali di uscita.
6. Aumentare il livello corrispondente all'uscita del tweeter finché non si sente una leggera distorsione, quindi girare il comando del livello in modo da non sentirla più. Secondo il tipo di impianto, l'uscita del midrange e quella del tweeter potrebbero essere collegate agli stessi canali di uscita.
7. Regolare con precisione il livello di uscita tra il midrange e i tweeter; per istruzioni dettagliate consultare la sezione Comandi/uscite/ingressi a livello di linea.
8. Ripetere le operazioni ai punti 5-7 per gli altoparlanti posteriori; se questi non sono presenti, passare al punto 10.
9. Impostare i livelli tra il midrange e i tweeter anteriori e posteriori in modo da bilanciare l'audio tra la sezione anteriore e quella posteriore.
10. Aumentare il livello corrispondente all'uscita del woofer finché non si sente una leggera distorsione, quindi girare il comando del livello in modo da non sentirla più.
11. Regolare con precisione il livello di uscita tra i satelliti e i woofer; per istruzioni consultare la sezione Comandi/uscite/ingressi a livello di linea. Regolare il livello dei bassi del woofer per adattarlo ai requisiti acustici dell'impianto.
12. L'amplificatore Polk Audio PA serie D è pronto all'uso.

SOLUZIONE DEI PROBLEMI

Sintomo	Causa probabile	Intervento necessario
Uscita assente		
	Tensione di accensione a distanza bassa o nulla.	Controllare il comando di accensione a distanza ed eseguire le riparazioni necessarie.
	Fusibile bruciato.	Controllare l'integrità del cavo di alimentazione e se ci sono cortocircuiti in corrispondenza degli altoparlanti. Eseguire le riparazioni necessarie e sostituire il fusibile.
	Cavi di alimentazione non collegati.	Controllare le connessioni di alimentazione e di massa ed eseguire le riparazioni o sostituzioni necessarie.
	Ingresso audio non collegato.	Controllare le connessioni a livello di linea ed eseguire le riparazioni o sostituzioni necessarie.
	Cavi degli altoparlanti non collegati.	Controllare i cavi degli altoparlanti ed eseguire le riparazioni o sostituzioni necessarie.
	Altoparlanti guasti.	Controllare l'impianto usando altoparlanti in buone condizioni e riparare o sostituire gli altoparlanti se necessario.
L'audio scompare ciclicamente		
	Il circuito di protezione termica si inserisce quando la temperatura del dissipatore termico dell'amplificatore supera 85 °C.	Accertarsi che la circolazione dell'aria intorno all'amplificatore sia adeguata e se necessario migliorarla.
	Ingresso audio intermittente o scadente.	Controllare le connessioni a livello di linea ed eseguire le riparazioni o sostituzioni necessarie.
	Connessioni di alimentazione non salde.	Controllare le connessioni di alimentazione e di massa ed eseguire le riparazioni o sostituzioni necessarie.
Uscita distorta		
	Sensibilità dell'amplificatore impostata su un livello troppo alto.	Regolare il guadagno; consultare la sezione Regolazione dell'audio dell'impianto.
	Impedenza di carico dell'amplificatore troppo bassa.	Controllare l'impedenza di carico dell'amplificatore; se è minore di 1 Ohm, modificare il cablaggio degli altoparlanti in modo da aumentarla.
	Cavi degli altoparlanti in cortocircuito.	Controllare i cavi degli altoparlanti ed eseguire le riparazioni o sostituzioni necessarie.
	Altoparlanti collegati all'amplificatore in modo sbagliato.	Controllare i cavi degli altoparlanti ed eseguire le riparazioni o sostituzioni necessarie.
	Crossover interni non impostati correttamente per gli altoparlanti.	Reimpostare i crossover; consultare la sezione Comandi/ingressi a livello di linea.
	Altoparlanti guasti.	Controllare l'impianto usando altoparlanti in buone condizioni e riparare o sostituire gli altoparlanti se necessario.

SOLUZIONE DEI PROBLEMI

Sintomo	Causa probabile	Intervento necessario
Risposta ai bassi scadente		
	Altoparlanti cablati con la polarità sbagliata e quindi cancellazione alle basse frequenze.	Controllare la polarità degli altoparlanti e correggerla se necessario.
	Crossover impostati in modo sbagliato.	Reimpostare i crossover; consultare la sezione Comandi/ingressi a livello di linea.
	Impedenza di carico dell'amplificatore troppo bassa	Controllare l'impedenza di carico dell'amplificatore; se è minore di 1 Ohm, modificare il cablaggio degli altoparlanti in modo da aumentarla.
Fusibile della batteria bruciato		
	Cortocircuito nel cavo di alimentazione o cablaggio sbagliato.	Controllare le connessioni di alimentazione e di massa ed eseguire le riparazioni o sostituzioni necessarie.
	Fusibile di portata minore di quella raccomandata.	Sostituirlo con un fusibile della giusta portata.
	Corrente effettiva maggiore della portata del fusibile.	Controllare l'impedenza di carico dell'amplificatore; se è minore di 1 Ohm, modificare il cablaggio degli altoparlanti in modo da aumentarla.
Fusibile dell'amplificatore bruciato		
	Fusibile di portata minore di quella raccomandata.	Sostituirlo con un fusibile della giusta portata.
	Impedenza di carico dell'amplificatore troppo bassa.	Controllare l'impedenza di carico dell'amplificatore; se è minore di 1 Ohm, modificare il cablaggio degli altoparlanti in modo da aumentarla.
	Altoparlante guasto con uscite in cortocircuito.	Controllare l'impianto usando altoparlanti in buone condizioni e riparare o sostituire gli altoparlanti se necessario.
	Corrente effettiva maggiore della portata del fusibile.	Controllare l'impedenza di carico dell'amplificatore; se è minore di 1 Ohm, modificare il cablaggio degli altoparlanti in modo da aumentarla.

DATI TECNICI

Amplificatore	PA D1000.1
Tipo	MOSFET Classe D
Canali	Monofonico
Valore efficace della potenza continua a 4 Ohm	500 W x 1
Valore efficace della potenza continua a 2 Ohm	800 W x 1
Valore efficace della potenza continua a 1 Ohm	1200 W
Distorsione alla potenza nominale	<0,1%
Modulo di comando guadagno remoto incluso	Sì
Impedenza minima senza collegamento in parallelo	1 Ohm
Rapporto segnale/rumore	105 dB
Risposta in frequenza	Da 20 Hz a 200 Hz
Fattore di smorzamento	>150
Pendenza del filtro di crossover	12 dB/ottava
Gamma di frequenze del filtro subsonico	Da 20 Hz a 38 Hz
Gamma di frequenze del filtro passa basso	Da 40 Hz a 220 Hz

Amplificatore	PA D1000.1
Frequenza di amplificazione dei bassi	44 Hz
Amplificazione dei bassi (dB)	Variabile (da 0 dB a 12 dB)
Ingressi a livello di linea (Sì/No)	Sì
Uscite a livello di linea (Sì/No)	Sì
Spia LED di alimentazione	Sì
Spia LED di protezione	Sì
Sensibilità d'ingresso	Da 200 mV a 6 V
Tensione di alimentazione	Da 10 V a 16 V
Tipo e portata di fusibile	(3) 40 ampere, ATC
Connessioni di alimentazione	4 AWG (diametro 5,19 mm)
Connessioni di massa	4 AWG (diametro 5,19 mm)
Connessioni altoparlanti	12 AWG (diametro 2,05 mm)
Altezza	46 mm
Profondità	171,5 mm
Larghezza	328,6 mm
Larghezza con adattatore morsettiera	347,7 mm
Peso	2,95 kg

ÍNDICE

INTRODUÇÃO	54
CONTEÚDO DA EMBALAGEM	54
OUÇA COM CUIDADO	54
FERRAMENTAS NECESSÁRIAS	54
DISTRIBUIÇÃO DOS COMPONENTES NO PAINEL TRASEIRO	55 - 56
Entradas/saídas/controles de nível de linha	55
Entradas de alimentação elétrica/Saídas de alto-falantes	55 - 56
CONEXÃO DOS CABOS DO AMPLIFICADOR	56
Conexões elétricas	56
Esquema de conexão dos alto-falantes	56
INSTALAÇÃO DO AMPLIFICADOR	57
Locais de instalação	57
Cabine de passageiros	57
Porta-malas	57
DIRETRIZES DE INSTALAÇÃO	57 - 58
PREPARAÇÃO FINAL E SOLUÇÃO DE PROBLEMAS	58 - 61
Teste do sistema	58 - 59
Ajuste do som do sistema	59
Sugestões para solucionar problemas	60 - 61
ESPECIFICAÇÕES	62

INTRODUÇÃO

Agradecemos a sua preferência por um amplificador Polk Audio Série PA D. Cada amplificador da Série PA D é projetado para ocupar posição de liderança em sua categoria, oferecendo o máximo em potência, recursos avançados e extrema facilidade de uso. Em sistemas de som sofisticados ou sistemas com alto nível de pressão sonora (SPL), os amplificadores da Série PA D proporcionarão desempenho contínuo por muitos anos.

- **PA D1000.1**—1200W x 1 RMS a 1 Ohm; 800W x 1 RMS a 2 Ohms; 500W x 1 RMS a 4 Ohms.

Obs.: A instalação incorreta não só limitará o desempenho do amplificador Polk Audio Série PA D, mas possivelmente afetará também a confiabilidade do amplificador. Para assegurar resultados sonoros corretos e confiabilidade dos componentes, consulte o revendedor autorizado para obter ajuda ou orientação sobre a instalação. Se decidir fazer a instalação por conta própria, leia o manual por inteiro antes de iniciá-la (veja as Diretrizes de Instalação na página 57).

ANOTE ESTAS INFORMAÇÕES PARA USO PESSOAL

Modelo: _____

Número de série: _____

Data de compra: _____

CONTEÚDO DA EMBALAGEM

- Amplificador Polk Audio
- Parafusos Phillips (8)
- Manual do Proprietário
- Cartão de registro online
- Controle de nível remoto
- Cabo de controle de nível remoto
- Adaptador de bloco de terminais

Observação importante: ISe algum componente estiver faltando ou apresentar danos, ou se o amplificador Polk Audio Série PA D não funcionar, notifique imediatamente o revendedor. Recomendamos que guarde a caixa e os materiais de embalagem originais, caso seja preciso despachar a unidade no futuro.

ATENÇÃO: OUÇA COM CUIDADO

Os amplificadores, caixas acústicas e subwoofers da Polk Audio conseguem reproduzir sons com volumes extremamente altos, o que pode causar danos graves ou permanentes na audição. A Polk Audio não se responsabiliza por perda de audição, lesões corporais ou danos materiais que resultem do uso incorreto de seus produtos. Lembre-se dessas diretrizes e sempre use o bom senso ao controlar o volume. Para obter mais informações sobre níveis de volume seguros, visite: www.osha.gov/dts/osta/otm/noise/standards_more.html

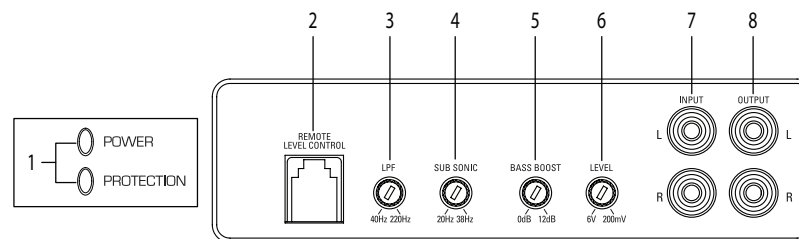
FERRAMENTAS NECESSÁRIAS

A maioria das ferramentas necessárias para realizar a instalação está descrita na lista a seguir. Ter as ferramentas adequadas facilitará muito a instalação.

- Chave de fenda Phillips
- Óculos de proteção
- Furadeira elétrica e brocas de 3/16" (4,7 mm) e 1/8" (3,2 mm)
- Abraçadeiras de náilon
- Descascadores e cortadores de fios
- Fita isolante
- Cabo de alimentação do amplificador
- Conectores sem solda, conectores de crimpagem e alicate de crimpagem
- Caneta de ponta porosa com tinta permanente ou lápis
- Multímetro digital (DMM) ou analógico (VOM)
- Alicate crimpador
- Olhais para passar os fios através da lataria do veículo

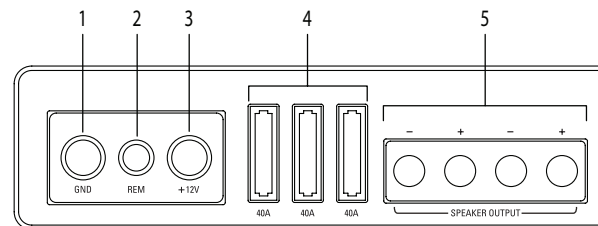
DISTRIBUIÇÃO DOS COMPONENTES NO PAINEL TRASEIRO

Entradas/saídas/controles de nível de linha do PA D1000.1



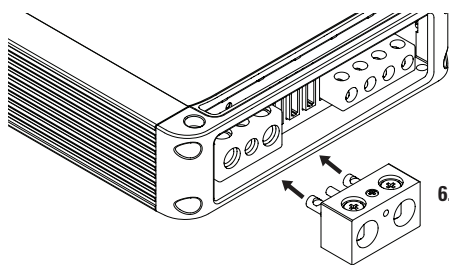
- 1. LEDs indicadores de status (encima do amplificador): Power e Protection**—Power acende para indicar que o amplificador está ligado e funcionando normalmente. Protection acende se o amplificador desligar devido a um curto-circuito de corrente ou superaquecimento detectado pelo circuito de proteção interno.
- 2. Remote Level Control**—Conecta o módulo de controle de graves remoto.
- 3. Controle variável do LPF**—Ajusta a frequência do filtro passa-baixa para atenuar as frequências acima do ajuste no controle.
- 4. Filtro Sub Sonic (Sônico do subwoofer)**—Variável de 20Hz a 38Hz.
- 5. Controle Bass Boost (Ampliação de graves)**—Ganho variável de graves de 0dB a 12dB.
- 6. Controle Level (Nível)**—Ajusta o ganho do canal para corresponder à tensão de saída da unidade de origem do sinal.
- 7. Entradas de nível de linha**—Saídas de nível de linha
- 8. Line Level Outputs**—Proporcionam um sinal completo para permitir a fácil conexão a amplificadores adicionais.

Entradas de alimentação elétrica/Saídas de alto-falantes do PA D1000.1



- 1. GND (Terra)**—Conecte este terminal diretamente ao chassis de metal do veículo, usando o fio de menor comprimento necessário para fazer a conexão. Sempre use fio da mesma bitola ou de bitola superior à do cabo de alimentação de +12 V. Toda a tinta e sujeira deve ser removida do ponto de conexão do chassis. Use apenas conectores crimpados e/ou soldados de qualidade nas duas extremidades deste fio. NÃO conecte este terminal diretamente ao terminal terra da bateria do veículo nem a qualquer outro ponto de aterramento de fábrica.
- 2. REM (Ativação remota)**—Este terminal liga o amplificador quando uma corrente de +12 V é aplicada a ele. Conecte-o ao terminal de ativação remota da unidade de origem do sinal.
- 3. Potência +12 V**—Conecte este terminal através de um FUSÍVEL ou um DISJUNTOR ao terminal positivo da bateria do veículo ou ao terminal positivo de uma bateria de sistema de áudio independente. **ATENÇÃO:** Proteja sempre este cabo de alimentação mediante a instalação de um fusível ou disjuntor de tamanho apropriado no máximo a 30 cm de distância da conexão do terminal da bateria.
- 4. Fusível**—Estes fusíveis (40A x 3) protegem o amplificador contra danos elétricos internos e se destinam a proteger apenas o amplificador. Todas as demais conexões de alimentação devem ser conectadas a fusíveis na fonte.
- 5. Saídas dos alto-falantes**—Conecte os alto-falantes aqui.

- 6. Adaptador de terminal**—O adaptador permite o uso de cabos de até 0000AWG para as conexões terra e de +12V (ver ilustração abaixo).



6. Adaptador de terminal

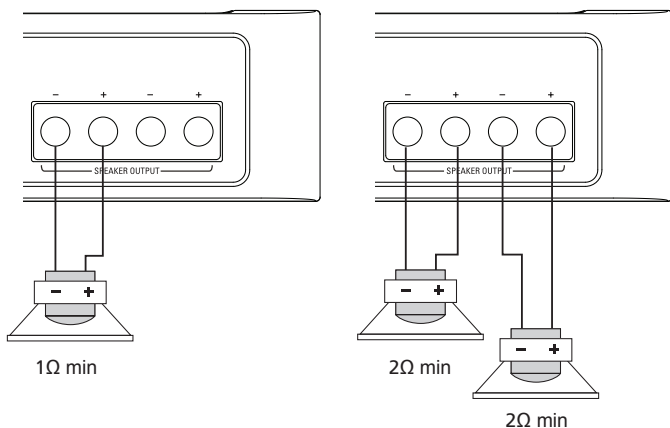
CONEXÃO DOS CABOS DO AMPLIFICADOR

Conexões elétricas

- Tamanho dos fusíveis do PA D1000.1: 3 x ATC de 40 A.
- As conexões de alimentação elétrica podem ser feitas com cabos de bitola máxima de 4 AWG.
- Recomendamos cabos de alimentação e aterramento de 4 AWG para maximizar o desempenho.
- Conecte +12 V à bateria através do porta-fusíveis. Esta conexão fornece uma alimentação de +12 V ao amplificador.
- O cabo de alimentação deve ser conectado a fusível dentro de uma distância de 30 cm da bateria.
- Aterre o amplificador a uma boa conexão terra no chassi o mais próximo possível do amplificador.
- Conecte o terminal REM ao terminal de ativação remota da unidade de origem do sinal. Esta conexão fornece uma corrente de +12 V para ligar o amplificador.
- Adicione cabo de aterramento extra entre o terminal negativo da bateria e o chassi.

Esquema de conexão dos alto-falantes ao PA D1000.1

O amplificador Polk Audio PA D1000.1 tem dois terminais de saída positivos e dois negativos para facilitar a conexão dos alto-falantes ao amplificador. O amplificador é mono, portanto as conexões são feitas em paralelo internamente. O amplificador é estável a 1 Ohm.



INSTALAÇÃO DO AMPLIFICADOR

Locais de instalação

A localização do amplificador dependerá de vários fatores importantes. Devido ao baixo perfil e do tamanho compacto dos amplificadores Polk Audio Série PA D, existem muitos locais de instalação possíveis que produzirão desempenho de amplificação satisfatório. Sempre instale o amplificador em um local que o proteja contra intempéries. O amplificador também deve ser instalado em uma superfície plana e estável.

NOTA: Não recomendamos que os amplificadores sejam instalados de ponta-cabeça, pois isso pode resultar em desligamento prematuro devido a sobreaquecimento.

ATENÇÃO! NÃO INSTALE amplificadores no compartimento do motor. Amplificadores não são projetados para suportar o ambiente inóspito de compartimentos de motores.

Cabine de passageiros

Para instalar o amplificador na cabine de passageiros, certifique-se de que tenha ventilação adequada. Ao instalar o amplificador embaixo de um assento ou área semelhante, mantenha um espaço mínimo de 2,5 cm ao redor do amplificador para permitir que haja ventilação adequada.

Porta-malas

A instalação do amplificador no porta-malas produz excelente desempenho, desde que o fluxo de ar ao redor do trocador de calor do amplificador não seja limitado. Para obter ótimos resultados, instale o amplificador com o máximo possível de espaço livre ao redor. Esse tipo de instalação produzirá melhor resfriamento da unidade devido ao efeito de convecção do chassi do amplificador.

DIRETRIZES DE INSTALAÇÃO

A maioria dos sistemas elétricos de automóveis tem capacidade para fornecer a alimentação elétrica necessária para sistemas com um único amplificador. No entanto, sistemas com mais de um amplificador podem exigir uma bateria com maior capacidade, um alternador ou um capacitor de armazenamento. Os amplificadores Polk Audio Série PA D geram uma certa quantidade de calor durante seu funcionamento normal. Certifique-se de que a área ao redor do amplificador esteja livre de obstruções para permitir que o ar circule de maneira adequada. Não se esqueça de que artigos como toalhas de praia, roupas, livros e tarefas escolares colocados sobre o amplificador impedem o fluxo de ar e podem causar danos.

1. Leia este manual do proprietário com atenção antes de instalar o amplificador.
2. Desconecte o terminal terra da bateria antes de fazer qualquer conexão elétrica.
3. Verifique se há algum perigo ou obstruções, como cilindros de gás, mangueiras de combustível ou freio e fiação, antes de instalar o amplificador.
4. Escolha um local de instalação que proporcione acesso e ventilação adequados e proteja o amplificador contra calor, umidade e sujeira.
5. Evite áreas metálicas afiadas ao posicionar os cabos até o amplificador e passe os cabos RCA afastados dos cabos de alimentação e de outros fios do veículo que possam potencialmente causar ruídos.
6. O amplificador deve ser aterrado com um cabo curto de bitola larga, conectado diretamente a uma superfície de metal do veículo, de preferência a uma chapa sem qualquer tipo de revestimento. Não use locais de aterramento da fábrica, prisioneiros, nem suportes com solda localizada.
7. Sempre ligue a conexão da fonte de alimentação a um fusível a uma distância máxima de 30 cm do terminal da bateria. Use um fusível ou disjuntor com especificação de potência um pouco acima da dos fusíveis do amplificador. Para selecionar a bitola do cabo de alimentação, leve em consideração a corrente total consumida do sistema e o comprimento do cabo usado. A IASCA e outras organizações que promovem competições de sistemas de som de veículos têm tabelas disponíveis para auxiliar nesta seleção. O guia de estudos do MECP também tem uma tabela. A página de especificações contém as recomendações de bitolas mínimas para cada amplificador. Para a ligação terra do amplificador, use sempre fio da mesma bitola que a do cabo de alimentação. Não deixe de inspecionar o cabo da ligação terra da bateria do veículo e, se necessário, atualizá-la adicionando mais um fio terra com a mesma bitola do cabo de alimentação do amplificador. Lembre-se de que o amplificador só consegue produzir sua saída nominal quando não sofre limite de corrente causado pelos cabos de alimentação e aterramento.

8. Este amplificador foi projetado para excitar uma carga de alto-falante de 1 a 8 Ohms. Não se esqueça de que o calor é o inimigo de longo prazo dos componentes eletrônicos de automóveis, e quanto menor a carga do alto-falante, maior será o calor gerado. Para aplicações com alto-falantes de baixa impedância ou instalações com ventilação limitada, sugerimos o uso de um ventilador externo adicional.
9. As conexões da bateria e da ligação terra ao veículo devem ser feitas com terminais de anel crimpado do tamanho correto (o importante é a área da superfície). Também recomendamos que os terminais sejam soldados depois de crimpados.
10. Devido à fonte de alimentação MOSFET de comutação de alta frequência, geralmente não é necessário filtrar o cabo de alimentação (não se esqueça de que o amplificador não conseguirá gerar potência plena se a fonte de alimentação for restringida). Para que o amplificador alcance seu pico de desempenho, é necessário fazer o aterramento correto da fonte dos sinais. Se as entradas RCA não forem aterradas de maneira adequada através da fonte dos sinais, é possível que o sistema capte ruído elétrico do veículo.

Instalação passo a passo

1. Determine o local de instalação do amplificador. Consulte a seção Locais de instalação deste manual.
2. Decida qual configuração de sistema deseja usar para o amplificador. Consulte as sugestões de sistemas na seção Esquema de conexão dos alto-falantes deste manual.
3. Posicione todos os cabos do amplificador até os alto-falantes, unidade de origem do sinal e bateria. Não conecte a bateria por enquanto. Mantenha os cabos de nível de linha, os cabos de alimentação e para alto-falantes afastados do sistema e dos cabos elétricos instalados pela montadora do veículo, pois têm grande potencial para induzir ruído no sistema.
4. Perfure os orifícios de instalação do amplificador. "Pense antes de furar." Tanques e mangueiras de combustível, e outros obstáculos, podem não estar imediatamente visíveis. Para obter o melhor resultado possível, use uma caneta para marcar os orifícios de instalação e perfure-os usando uma broca padrão de 1/8" (3 mm).
5. Instale o amplificador, que deve ser posicionado em uma superfície plana. Se isso não for possível, não aperte demasiadamente os parafusos para não deformar o chassi do amplificador.
6. Desligue a chave de ignição do veículo.
7. Desconecte o terminal terra da bateria do veículo.
8. Conecte os cabos de alimentação ao amplificador (primeiro o terra, depois o +12V e o REM).
9. Conecte os cabos de nível de linha e dos alto-falantes ao amplificador. Verifique a qualidade das conexões dos alto-falantes e do sinal. Isso determinará o tipo de desempenho que o amplificador Polk Audio Série PA D produzirá. Consulte as instruções de conexão nas seções Entradas/saídas/controles de nível de linha e Esquemas de conexão dos alto-falantes deste manual.
10. Reconecte o terminal terra à bateria depois de completar as conexões da alimentação elétrica, alto-falantes e nível de linha.
11. Ajuste os crossovers. Consulte as instruções detalhadas na seção Entradas/saídas/controles de nível de linha deste manual.
12. Quando estiver certo de que todas as conexões e ajustes estão corretos, instale o fusível localizado próximo da bateria do veículo e leia a seção Teste do sistema deste manual.

ATENÇÃO! NUNCA exceda o tamanho de fusível recomendado para este amplificador, pois poderá resultar no cancelamento da garantia e em possíveis danos ao amplificador.

PREPARAÇÃO FINAL E SOLUÇÃO DE PROBLEMAS

Teste do sistema

O sistema precisa ser testado após a instalação. Isso ajudará a garantir muitos anos de funcionamento sem problemas. Consulte as etapas descritas abaixo ao testar o som do amplificador Polk Audio Série PA D.

1. Verifique todas as conexões dos cabos para confirmar se estão corretas e firmes.
2. Abaixe ao máximo o volume da origem do sinal. Coloque todos os controles de tons em suas posições neutras ou desativadas, incluindo o controle da intensidade sonora.
3. Coloque os controles do nível do amplificador em suas posições mais baixas.

4. Ligue a unidade de origem do sinal. Verifique se o LED indicador de potência localizado no lado das conexões do amplificador está aceso. Se não estiver, consulte as instruções fornecidas nas seções Entradas de alimentação elétrica/Saídas de alto-falantes e Sugestões para solucionar problemas deste manual.
5. Se a unidade de origem do sinal não for original de fábrica, gire os controles de nível do amplificador cerca de um quarto de volta no sentido anti-horário. Aumente aos poucos o nível do volume da unidade de origem do sinal até conseguir ouvir o som no sistema. Se não ouvir som algum ou se o som estiver distorcido, desligue imediatamente o sistema. Consulte as seções Entradas de alimentação elétrica/Saídas de alto-falantes e Sugestões para solucionar problemas deste manual para resolver problemas de instalação.
6. Verifique se a saída de cada canal está correta. Se forem usados crossovers ativos, verifique se cada saída do amplificador está correta. Ao usar crossovers ativos em alto-falantes de frequência média e tweeters, não use frequências de crossover mais baixas que as recomendadas. Se o sistema não estiver configurado corretamente, consulte a seção Entradas/saídas/controles de nível de linha deste manual e implemente as medidas corretivas.
7. Se o som estiver claro e sem distorções, continue até a seção Ajuste do som do sistema deste manual.

Ajuste do som do sistema

Depois de verificar o funcionamento do sistema, ajuste o som do sistema. Para isso, basta ajustar os controles de níveis e os crossovers internos (ver Entradas/saídas/controles de nível de linha na página 55).

1. Abaixe ao máximo o volume da origem do sinal. Coloque todos os controles de tons em suas posições neutras ou desativadas, incluindo o controle da intensidade sonora.
2. Coloque os controles do nível do amplificador em suas posições mais baixas.
3. Escolha músicas que você conheça e goste, que tenham bastante variedade tonal, e do tipo que será ouvido com mais frequência no sistema.
4. Aumente o volume da unidade de origem do sinal até o nível de reprodução mais elevado sem distorção. Caso não tenha equipamentos de teste, este ponto se situa a cerca de 3/4 do volume máximo, dependendo da qualidade da unidade de origem do sinal. Tente detectar a presença de distorção acústica audível. Se ouvir alguma distorção, reduza o volume da unidade de origem do sinal até o som deixar de apresentar distorção. Deixe o controle do volume nessa posição durante o ajuste do sistema.
5. Enquanto ouve a música dinâmica escolhida, aumente o volume correspondente aos sons da faixa média de frequências até ouvir uma leve distorção. Reduza um pouco o volume para obter uma reprodução sem distorção. Dependendo do sistema, os sons produzidos pelos alto-falantes que reproduzem as frequências médias e pelo tweeter podem estar nos mesmos canais de saída.
6. Aumente o controle do volume de som do tweeter até ouvir uma leve distorção e, em seguida, reduza um pouco o volume para obter uma reprodução sem distorção. Dependendo do sistema, os sons produzidos pelos alto-falantes que reproduzem as frequências médias e pelo tweeter podem estar nos mesmos canais de saída.
7. Faça o ajuste fino do nível de reprodução dos alto-falantes de frequência média e dos tweeters. Consulte as instruções detalhadas na seção Entradas/saídas/controles de nível de linha deste manual.
8. Repita as etapas 5 a 7 para os alto-falantes traseiros. Caso não tenha alto-falantes traseiros, passe para a etapa 10.
9. Ajuste os níveis de reprodução dos alto-falantes de frequência média e os tweeters frontais e traseiros para obter equilíbrio perfeito do som.
10. Aumente o controle do volume de som do woofer até ouvir uma leve distorção e, em seguida, reduza um pouco o volume para obter uma reprodução sem distorção.
11. Faça o ajuste fino do nível de saída entre os alto-falantes satélite e os woofers. Consulte os controles na seção Entradas/saídas/controles de nível de linha deste manual. Ajuste o nível da saída de graves do woofer para que coincida com os requisitos sônicos do sistema.
12. Desfrute do incrível amplificador Polk Audio Série PA D.

SUGESTÕES PARA SOLUCIONAR PROBLEMAS

Problema	Provável causa	Medida a ser tomada
Nenhum som		
	Acionamento remoto baixo ou inexistente.	Verifique a tensão do acionamento remoto no amplificador e repare conforme necessário.
	Fusível queimado.	Verifique a integridade do cabo de alimentação e se há algum curto-circuito nos alto-falantes. Repare o que for necessário e troque o fusível.
	Cabos de alimentação desconectados.	Verifique as conexões do cabo de alimentação e do terra e repare ou troque o que for necessário.
	Entrada de áudio não conectada.	Verifique as conexões de nível de linha e repare ou troque o que for necessário.
	Cabos dos alto-falantes desconectados.	Verifique os cabos dos alto-falantes e repare ou troque o que for necessário.
	Alto-falantes danificados.	Verifique o sistema usando um alto-falante que funcione e, se necessário, repare ou troque os alto-falantes com problema.
Áudio intermitente		
	A proteção térmica é ativada quando a temperatura do trocador de calor do amplificador ultrapassa 85° C.	Certifique-se de que haja ventilação apropriada para o amplificador e, se necessário, melhore a ventilação.
	Entrada de áudio solta ou de má qualidade.	Verifique as conexões de nível de linha e repare ou troque o que for necessário.
	Conexões da alimentação elétrica soltas.	Verifique as conexões do cabo de alimentação e do terra e repare ou troque o que for necessário.
Som distorcido		
	O nível de sensibilidade do amplificador está muito alto e excede a capacidade máxima do amplificador.	Reajuste o ganho. Consulte as informações detalhadas na seção Ajuste do som do sistema deste manual.
	Carga de impedância ao amplificador muito baixa.	Verifique a carga de impedância dos alto-falantes. Se estiver abaixo de 1 Ohm, reconecte os alto-falantes para obter impedância mais alta.
	Cabos dos alto-falantes em curto.	Verifique os cabos dos alto-falantes e repare ou troque o que for necessário.
	Alto-falante não conectado corretamente ao amplificador.	Verifique os cabos dos alto-falantes e repare ou troque o que for necessário.
	Crossover interno não ajustado corretamente para os alto-falantes.	Reajuste os crossovers. Consulte a seção Entradas/controles de nível de linha deste manual.
	Alto-falantes danificados.	Verifique o sistema usando alto-falantes que funcionem e, se necessário, repare ou troque os alto-falantes com problema.

SUGESTÕES PARA SOLUCIONAR PROBLEMAS

Problema	Provável causa	Medida a ser tomada
Reprodução de graves de baixa qualidade		
	Alto-falantes conectados com polaridade incorreta, causando cancelamento em baixas frequências.	Verifique a polaridade dos alto-falantes e conserte o que for necessário.
	Crossover ajustado incorretamente.	Reajuste os crossovers. Consulte a seção Entradas/controles de nível de linha deste manual.
	Carga de impedância muito baixa no amplificador.	Verifique a carga de impedância dos alto-falantes. Se estiver abaixo de 1 Ohm, reconecte os alto-falantes para obter impedância mais alta.
O fusível da bateria queima		
	Curto-circuito no cabo de alimentação ou conexão incorreta dos cabos.	Verifique as conexões do cabo de alimentação e do terra e repare ou troque o que for necessário.
	O fusível usado é menor do que o recomendado.	Troque-o por um fusível do tamanho correto.
	A corrente é maior que a capacidade do fusível.	Verifique a carga de impedância dos alto-falantes. Se estiver abaixo de 1 Ohm, reconecte os alto-falantes para obter impedância mais alta.
O fusível do amplificador queima.		
	O fusível usado é menor do que o recomendado.	Troque-o por um fusível do tamanho correto.
	Carga de impedância muito baixa no amplificador.	Verifique a carga de impedância dos alto-falantes. Se estiver abaixo de 1 Ohm, reconecte os alto-falantes para obter impedância mais alta.
	O alto-falante queima com saídas em curto.	Verifique o sistema usando alto-falantes que funcionem e, se necessário, repare ou troque os alto-falantes com problema.
	A corrente é maior que a capacidade do fusível.	Verifique a carga de impedância dos alto-falantes. Se estiver abaixo de 1 Ohm, reconecte os alto-falantes para obter impedância mais alta.

ESPECIFICAÇÕES

Amplificador	PA D1000.1
Tipo	MOSFET Classe D
Canais	Monobloco
Potência contínua RMS a 4 Ohms	500 W x 1
Potência contínua RMS a 2 Ohms	800 W x 1
Potência contínua RMS a 1 Ohm	1200 W
Distorção no nível de potência nominal	<0.1%
Controle de ganho remoto incluído	Sim
Impedância mínima Não em ponte	1 Ohm
Relação sinal a ruído	105 dB
Resposta de frequência	20Hz a 200Hz
Fator de amortecimento	>150
Curva do filtro crossover (dB/oitava)	12 dB/oitava
Faixa de frequência do filtro sônico do subwoofer	20Hz a 38Hz
Faixa de frequência do filtro passa-baixa	40Hz a 220Hz

Amplificador	PA D1000.1
Frequência de ampliação de graves	44 Hz
Ampliação de graves (dB)	Variável (0 dB a 12 dB)
Entradas de nível de linha (s/n)	Sim
Saídas de nível de linha (s/n)	Sim
LED indicador de alimentação elétrica	Sim
LED indicador de proteção	Sim
Sensibilidade de entrada	200mV a 6V
Tensão de alimentação	10V a 16V
Fusíveis e potência/tipo	(3) ATC de 40 A
Conexões elétricas	4 AWG
Conexões terra	4 AWG
Conexões dos alto-falantes	12 AWG
Altura	46 mm (1 13/16")
Profundidade	171,5 mm (6 3/4")
Largura	328,6 mm (12 15/16")
Largura com adaptador de terminal	347,7 mm (13 11/16")
Peso	2,95 kg (6,5 lb.)

Limited Warranty

Polk Audio, Inc., warrants to the original retail purchaser only. This warranty will terminate automatically prior to its stated expiration if the original retail purchaser sells or transfers the Product to any other party. Polk Audio, Inc., warrants, to the original retail purchaser only, that the LOUDSPEAKER(S), PASSIVE CROSSEVER COMPONENT(S) and ENCLOSURE on this Polk Audio Loudspeaker Product will be free from defects in material and workmanship for a period of one (1) year from the date of original retail purchase from a Polk Audio Authorized Dealer, and 2 years if installed by the same dealer.

To allow Polk Audio to offer the best possible warranty service, please register your new product online at: www.polkaudio.com/registration or call Polk customer service 800-377-7655 in the USA and Canada (outside the USA: 410-358-3600) within ten (10) days of the date of original purchase. Be sure to keep your original purchase receipt. Defective Products must be shipped, together with proof of purchase, prepaid insured to the Polk Audio Authorized Dealer from whom you purchased the Product, or to the Factory at 1 Viper Way, Vista, California 92081. Products must be shipped in the original shipping container or its equivalent; in any case the risk of loss or damage in transit is to be borne by you. If upon examination at the Factory or Polk Audio Authorized Dealer it is determined that the unit was defective in materials or workmanship at any time during this Warranty period, Polk Audio or the Polk Audio Authorized Dealer will, at its option, repair or replace this Product at no additional charge, except as set forth below. All replaced parts and Products become the property of Polk Audio. Products replaced or repaired under this warranty will be returned to you, within a reasonable time, freight prepaid.

This warranty does not include service or parts to repair damage caused by accident, disaster, misuse, abuse, negligence, inadequate packing or shipping procedures, commercial use, voltage inputs in excess of the rated maximum of the unit, cosmetic appearance of cabinetry not directly attributable to defect in materials or workmanship, or service, repair, or modification of the Product which has not been authorized or approved by Polk Audio. This warranty shall terminate if the Serial number on the Product has been removed, tampered with or defaced. This warranty is in lieu of all other expressed Warranties. If this Product is defective in materials or workmanship as warranted above, your sole remedy shall be repair or replacement as provided above. In no event will Polk Audio, Inc. be liable to you for any incidental or consequential damages arising out of the use or inability to use the Product, even if Polk Audio, Inc. or a Polk Audio Authorized Dealer has been advised of the possibility of such damages, or for any claim by any other party. Some states do not allow the exclusion or limitation of consequential damages, so the above limitation and exclusion may not apply to you. All implied warranties on this Product are limited to the duration of this expressed Warranty. Some states do not allow limitation on how long an implied Warranty lasts, so the above limitations may not apply to you. This Warranty gives you specific legal rights, and you also may have other rights which vary from state to state.

This Warranty applies only to Products purchased in Canada, the United States of America, its possessions, and U.S. and NATO armed forces exchanges and audio clubs. The Warranty terms and conditions applicable to Products purchased in other countries are available from the Polk Audio Authorized Distributors in such countries.

GARANTIE LIMITÉE

La garantie de Polk Audio, Inc. n'est valide que pour l'acheteur au détail original. La garantie sera automatiquement annulée avant sa date d'expiration spécifiée si l'acheteur original vend ou transfère le produit à tout autre parti. Polk Audio Inc. garantit - à l'acheteur au détail original seulement— que cet amplificateur Polk Audio sera exempt de tout défaut attribuable aux pièces d'origine et à la main-d'oeuvre pour une période de un (1) an à partir de la date de l'achat au détail original chez un revendeur agréé Polk Audio et deux (2) ans si installé par ce même revendeur.

Pour permettre à Polk Audio de vous offrir le meilleur service de garantie possible, veuillez enregistrer votre nouveau produit en ligne: www.polkaudio.com/registration—ou contactez le Service à la Clientèle de Polk au 800-377-7655 aux États-Unis et au Canada (à l'extérieur des É.U.:410-358-3600) dans les dix (10) jours suivant la date de l'achat original. Assurez-vous de conserver votre reçu d'achat original. Les produits défectueux doivent être expédiés, avec une preuve d'achat, francs de port et assurés, au revendeur agréé Polk Audio de qui vous avez acheté le produit, ou à l'usine Polk Audio, 1 Viper Way, Vista, California 92081. Les produits doivent être expédiés dans leur carton d'expédition original ou dans un contenant équivalent. Le propriétaire doit assumer tout risque de perte ou de dommage en transit. Si, suite à l'examen du produit à l'usine Polk ou chez le marchand agréé Polk Audio, il est déterminé que la défectuosité est imputable aux matériaux d'origine ou à la main d'oeuvre au cours de la période de la garantie spécifiée, Polk Audio ou le revendeur Polk Audio, à sa guise, réparera ou remplacera le produit sans frais additionnels et selon les conditions décrites ci-dessous. Toute pièce ou produit remplacé devient la propriété de Polk Audio. Les produits réparés ou remplacés sous la garantie vous seront expédiés francs de port dans un délai raisonnable.

Cette garantie n'inclut pas le service ou les pièces nécessaires à la réparation des dommages provoqués par accident, désastre, abus, négligence, mode d'expédition ou emballage inadéquat, utilisation commerciale, tensions supérieures au maximum prescrit pour l'unité, aspect visuel du meuble non directement attribuable à un défaut de pièces d'origine ou de main d'oeuvre, ou par le service, la réparation, ou toute modification du produit qui n'a pas été autorisé ou approuvé par Polk Audio. Cette garantie sera annulée si le numéro de série sur le produit a été enlevé, altéré ou falsifié. Cette garantie prend préséance sur toutes autres garanties énoncées. Si la défectuosité de ce produit est imputable aux pièces d'origine ou à la main d'oeuvre selon les conditions de la garantie exprimées ci-dessus, votre seul recours sera la réparation ou le remplacement selon les conditions décrites ci-dessus. Dans aucun cas Polk Audio, Inc. pourra-t-elle être tenue responsable pour tout dommage accessoire ou indirect causé par l'utilisation ou par l'empêchement de l'utilisation du produit, même si Polk Audio, Inc. ou un revendeur agréé Polk Audio, a été avisé de la possibilité de tel dommage, ou pour toute réclamation par tout autre parti. Certains états ne permettant pas l'exclusion ou la limitation des dommages indirects, les limitations et exclusions exprimées ci-dessus pourraient ne pas s'appliquer dans votre cas. Toutes les garanties tacites sur ce produit sont limitées à la durée de la garantie énoncée. Certains états ne permettant pas la limitation de la durée d'une garantie tacite, les limitations ci-dessus pourraient ne pas s'appliquer dans votre cas. Cette garantie vous accorde des droits légaux spécifiques; vous pourriez également avoir d'autres droits qui pourraient varier d'état en état.

Cette garantie s'applique seulement aux produits achetés au Canada, aux États-Unis d'Amérique et ses possessions, et dans les clubs audio et d'échange des forces armées des É.U. et de l'OTAN. Les modalités et les conditions de garantie applicables aux produits achetés dans d'autres pays sont disponibles chez les distributeurs agréés Polk Audio établis dans ces pays.